



HEAVY DUTY

CONCRETE HOPPER

"Star Attachments Turn a Forklift into a Whole Fleet of Equipment"

Turns your forklift into a Concrete Placer

**NOW
Available with
HYDRAULICS**



LIPPERT BROS. INC
STADIUM EXPANSION PROJECT
OKLAHOMA STATE UNIVERSITY
STILLWATER, OKLAHOMA

**REDUCES
CONCRETE
PLACEMENT
COSTS
BY
UTILIZING
YOUR
JOBSITE
FORKLIFT**

- **Places Concrete in "Hard to Reach Areas"**
- **Saves the Additional Cost of a Pump or Crane**
- **Saves Time - Lets You Place Concrete When You Are Ready**

Places concrete *efficiently* in these and many other applications:

- | | | |
|-----------|------------------|------------------------------------|
| ▶ COLUMNS | ▶ FOUNDATIONS | ▶ STAIRS & LANDINGS |
| ▶ WALLS | ▶ REHAB PROJECTS | ▶ MASONRY WALL GROUTING |
| ▶ PIERS | ▶ ELEVATED DECKS | ▶ POURS WITH OVERHEAD OBSTRUCTIONS |
| ▶ BEAMS | ▶ SLOPE PAVING | |

800-541-1797

or

817-485-6073

SPECIFICATIONS

- **Universal Fit (slip-on-the-forks) Design** permits use on both straight-mast and extendable-reach type forklifts. Accepts up to 7" wide forks.
- **Swivel Chute Included** - 30" effective length, swings 40 degrees (20 degrees to each side), slope of chute adjustable with chain.
- **Discharge Gate** can be controlled manually or by optional hydraulics. Handle can be positioned on either side.
- **Heavy Duty Construction** - built with heavy gauge steel - all welded construction.
- **Simple to Install** - Forks are inserted fully into the fork channels then a locking pin is simply installed behind the heel of each fork. Pins are attached with a chain to prevent loss.



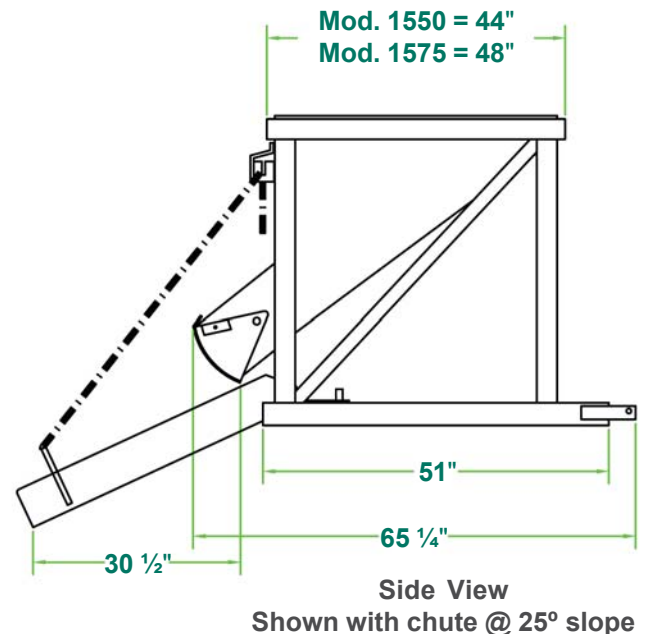
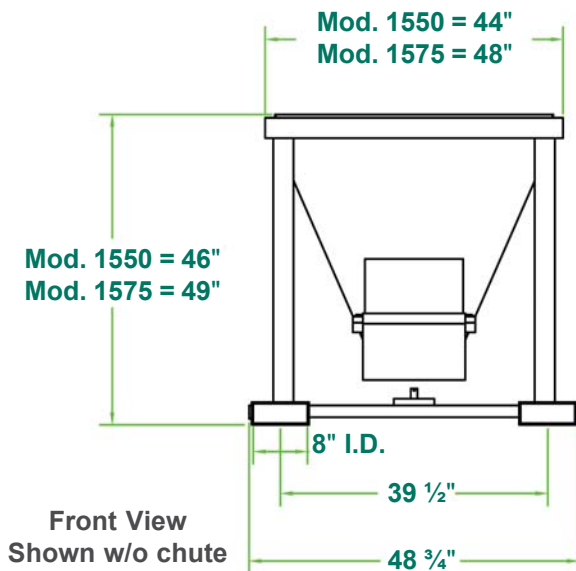
Easy to Clean-Up

Simple to Use

MANUAL Dump		
MODEL	CAPACITY	EMPTY WEIGHT
1550	½ cuyd	650 lbs.
1575	¾ cuyd	770 lbs.

HYDRAULIC Dump		
MODEL	CAPACITY	EMPTY WEIGHT
1550H	½ cuyd	700 lbs.
1575H	¾ cuyd	820 lbs.

Optional TREMEE (elephant trunk) adapter available



Note: Dimensions are the same for all models except as noted.



4101 Garland Dr., Fort Worth, TX 76117
 Ph 817-485-6073 Fax 817-428-6008
USA & Canada Toll Free 800-541-1797
www.starindustries.com