



Quick-Tach TRUSS BOOMS

“Star Attachments Turn a Forklift into a Whole Fleet of Equipment”

Expand the Capabilities of your Forklift

-  **Reach Farther**
-  **Lift Higher**
-  **Save Money**

Reach Out 10' to 15' Farther



Gain 10' to 15' in Height



Gain the Advantages of Star “QT” Truss Booms

Save the Cost of a Crane . . .

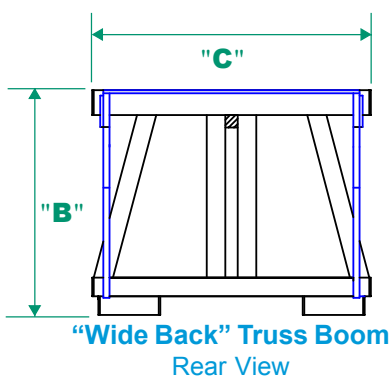
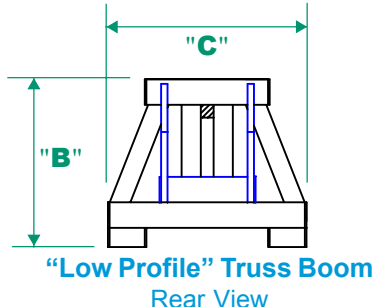
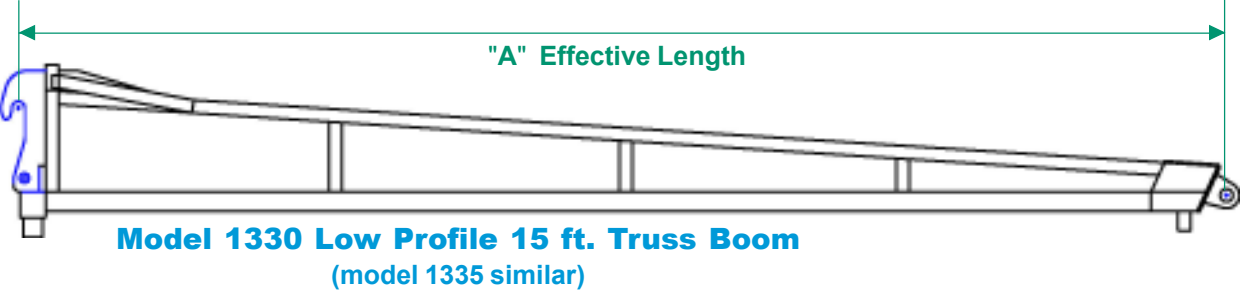
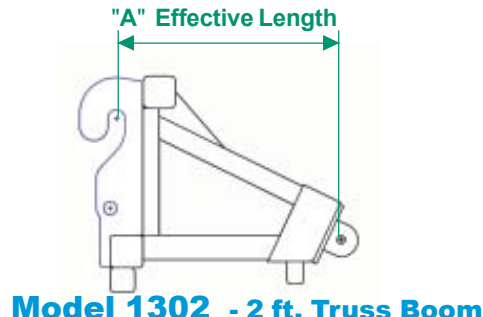
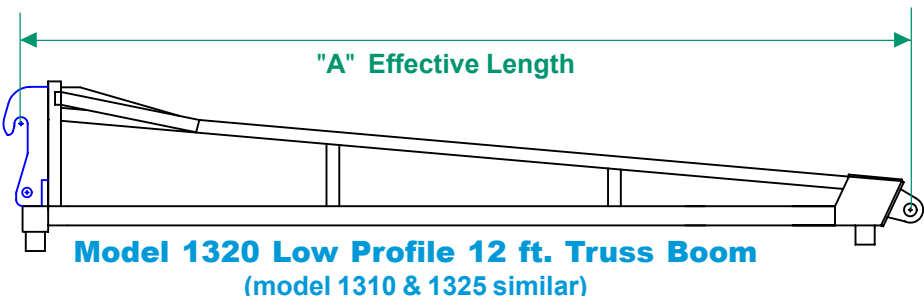
Your forklift and a Star QT Truss Boom can replace a crane on many “low rise” jobs. It is ideal for metal building erection, setting wooden trusses, putting up post frame buildings and many more crane type jobs.

Faster and more Maneuverable . . .

Take advantage of the speed and maneuverability of RT Extendable Reach Forklifts to increase production on low rise crane type jobs. A Star “QT” Truss Boom and your forklift, even on rough and muddy jobsites, will get the job done faster and at less cost.

Rugged Construction to Protect Against Damage . . .

On or off the forklift, the fully welded, square tube construction of Star QT Truss Booms ensure strength and durability. It's a truss boom that is built to last!



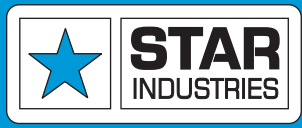
Style	Model	"A" Effective Length	"B" Back Height	"C" Back Width	Load Capacity	Empty Weight	Overall Length
Low Profile¹ Truss Boom	1302	2' - 0"	26.5"	31"	10,000 lbs.	± 370 lbs.	2' - 5"
	1310	10' - 0"	26.5"	31"	2,000 lbs.	± 490 lbs.	10' - 5"
	1320	11' - 8"	26.5"	31"	2,000 lbs.	± 525 lbs.	12' - 0"
	1330	15' - 0"	26.5"	31"	2,000 lbs.	± 660 lbs.	15' - 5"
Wide Back² Truss Boom	1325	11' - 11"	36"	45"	2,000 lbs.	± 720 lbs.	12' - 4"
	1335	14' - 11"	36"	45"	2,000 lbs.	± 805 lbs.	15' - 4"

NEW

¹ The standard "Low Profile" Truss Boom is used with most forklift models except those that utilize an extra wide quick-tach design.
² JCB Q-Fit, Gehl Dynacarrrier, Bobcat VersaHandler and Ingersoll-Rand models VR518, VR623, VR638 quick-tach designs require the "Wide Back".

Dimensions and empty weights will vary depending on which quick-tach is required.
 Note: Forklift make, model, quick-tach style and serial number may be required when ordering.

CAUTION: Above load ratings are for the truss boom only and do not reflect actual forklift load capabilities.



4101 Garland Dr. Fort Worth, TX 76117
 Ph. 817-485-6073 Fax 817-428-6008
 USA & Canada Toll Free 800-541-1797
www.starindustries.com

Dealer: