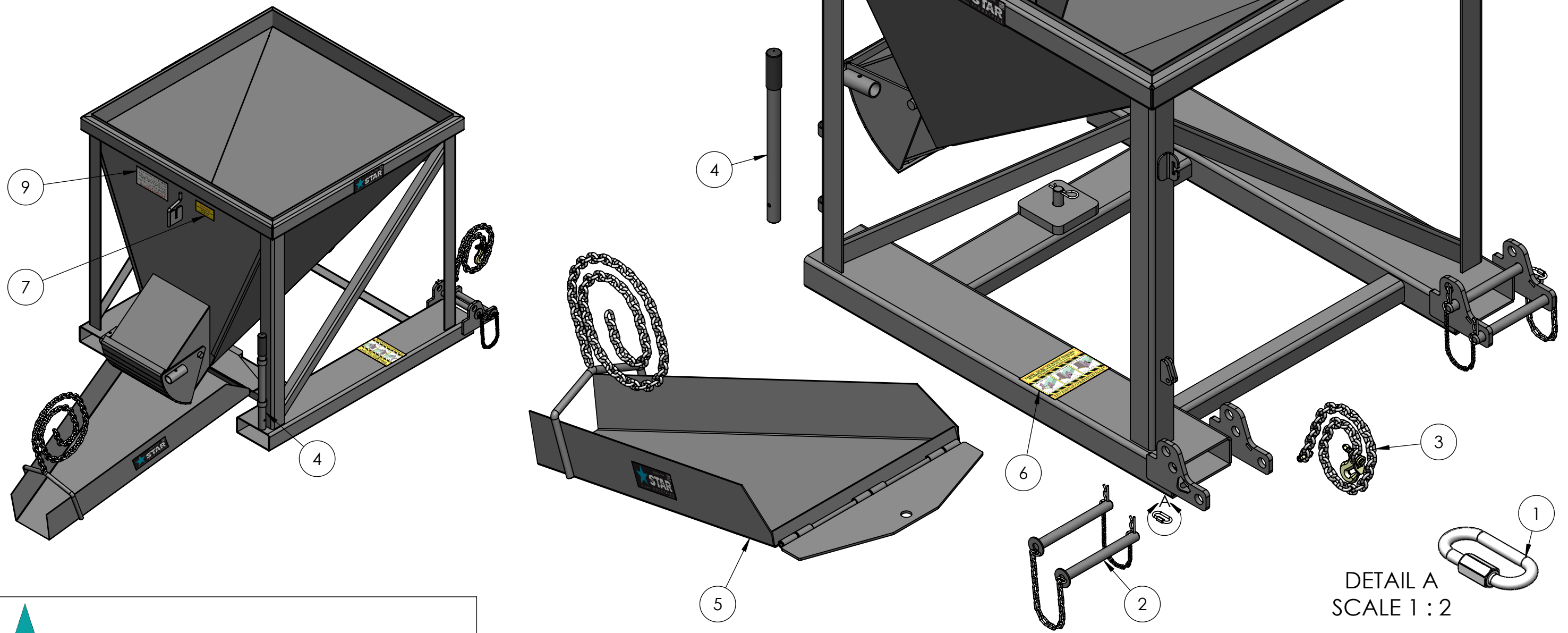


ITEM NO.	PART NUMBER	DESCRIPTION	QTY.
1	30-8947T44	OVAL SHAPED THREADED CONN LINK 9/32	2
2	1000-0108DBL	DUAL 10-1/4" x 1" LOCKING PINS W/HAIR PINS	2
3	1000-0117	5/16" SAFETY CHAIN ASSEMBLY NEW	1
4	1550-01	HANDLE FOR CONCRETE HOPPER	1
5	1550-10	SWIVEL CHUTE	1
6	DEC10000	DANGER - RETAINING PIN	1
7	DEC10001	CAUTION - READ OPERATOR'S MANUAL	1
8	DEC10006	STAR LOGO DECAL	2
9	DEC10018	SECURE TO FORKLIFT DECAL	1



DETAIL A
SCALE 1 : 2

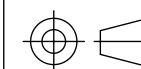
STAR INDUSTRIES
 Phone: (800) 541-1797
 (817) 485-6073
 Fax: (817) 428-6008
 4101 Garland Dr. Fort Worth, TX 76117 Email: mail@starindustries.com

Parts Diagram

PROPRIETARY AND CONFIDENTIAL
 THE INFORMATION CONTAINED IN THIS
 DRAWING IS THE SOLE PROPERTY OF
 STAR INDUSTRIES. ANY REPRODUCTION
 IN PART OR AS A WHOLE WITHOUT
 THE WRITTEN PERMISSION OF STAR
 INDUSTRIES IS PROHIBITED.

TITLE:

CONCRETE HOPPER



P-WEIGHT:
717.01 lbs.

DWG. NO.

1575