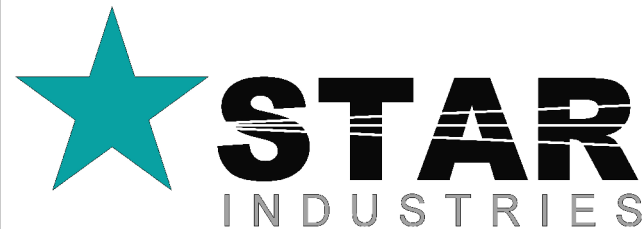
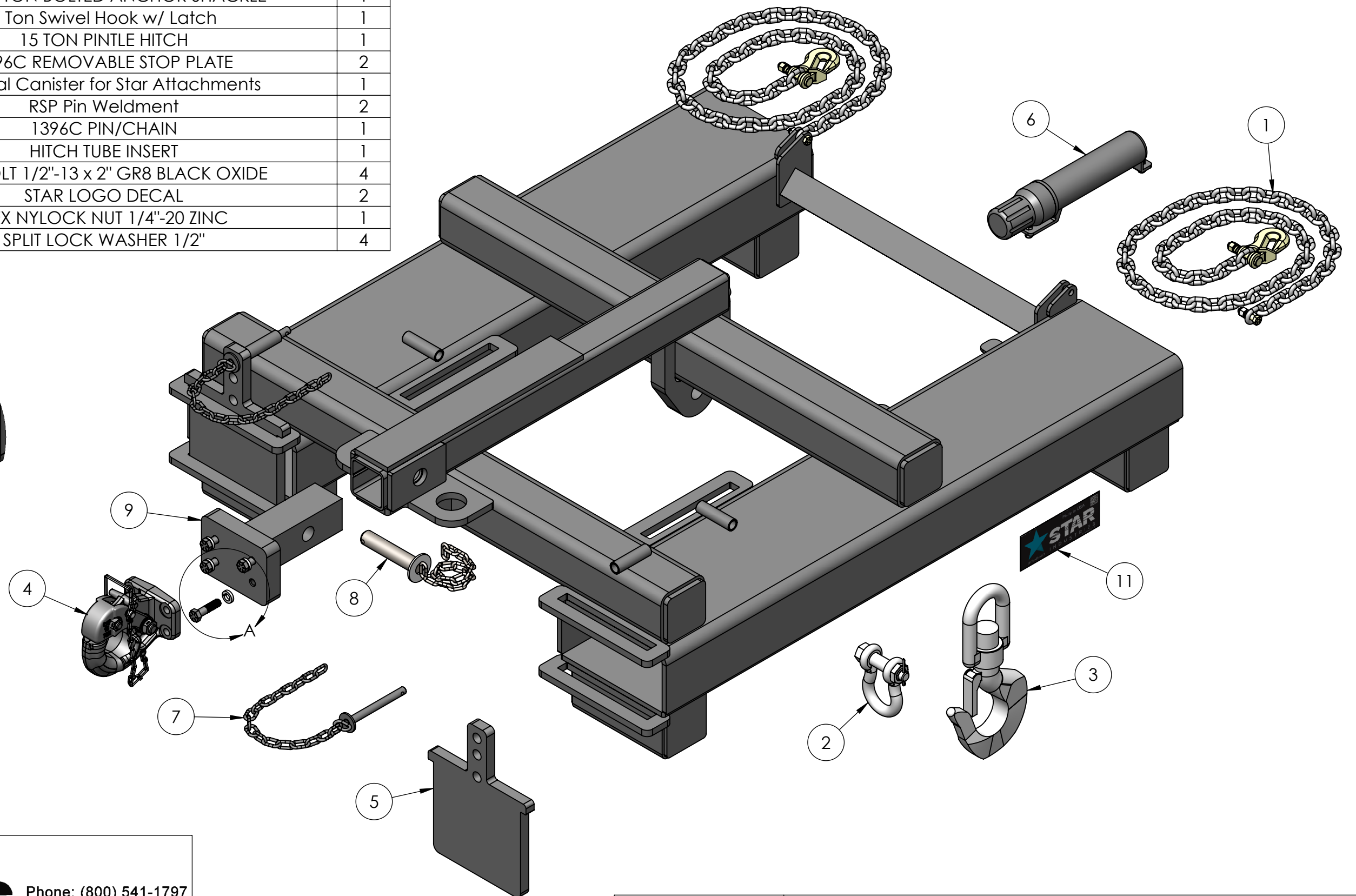
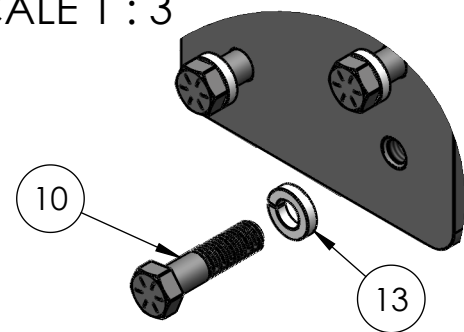


| ITEM NO. | PART NUMBER | DESCRIPTION   | QTY. |
|----------|-------------|---|------|
| 1        | 1000-0116   | 5/16" Safety Chain Assy -Includes 72" Chain, Grab hook & Nut and Bolt | 2    |
| 2        | 1000-0231   | 3/4" - 7 TON BOLTED ANCHOR SHACKLE                                    | 1    |
| 3        | 1000-0265   | 7 Ton Swivel Hook w/ Latch  | 1    |
| 4        | 1000-0309   | 15 TON PINTLE HITCH   | 1    |
| 5        | 1000-0402   | 1396C REMOVABLE STOP PLATE  | 2    |
| 6        | 1000-70111  | Manual Canister for Star Attachments                                  | 1    |
| 7        | ASM10081    | RSP Pin Weldment  | 2    |
| 8        | ASM10159    | 1396C PIN/CHAIN   | 1    |
| 9        | ASM10160    | HITCH TUBE INSERT   | 1    |
| 10       | BLT10007    | HEX BOLT 1/2"-13 x 2" GR8 BLACK OXIDE                                 | 4    |
| 11       | DEC10006    | STAR LOGO DECAL   | 2    |
| 12       | NUT10001    | HEX NYLOCK NUT 1/4"-20 ZINC   | 1    |
| 13       | WSH10005    | SPLIT LOCK WASHER 1/2"  | 4    |

DETAIL A  
SCALE 1 : 3



Phone: (800) 541-1797  
(817) 485-6073  
Fax: (817) 428-6008

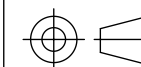
4101 Garland Dr. Fort Worth, TX 76117 Email: mail@starindustries.com

## Parts Diagram

PROPRIETARY AND CONFIDENTIAL  
THE INFORMATION CONTAINED IN THIS  
DRAWING IS THE SOLE PROPERTY OF  
STAR INDUSTRIES. ANY REPRODUCTION  
IN PART OR AS A WHOLE WITHOUT  
THE WRITTEN PERMISSION OF STAR  
INDUSTRIES IS PROHIBITED.

TITLE:

1396C NAVY LIFT-N-TOW



P-WEIGHT:  
615.69 lbs.

DWG. NO.

1396C