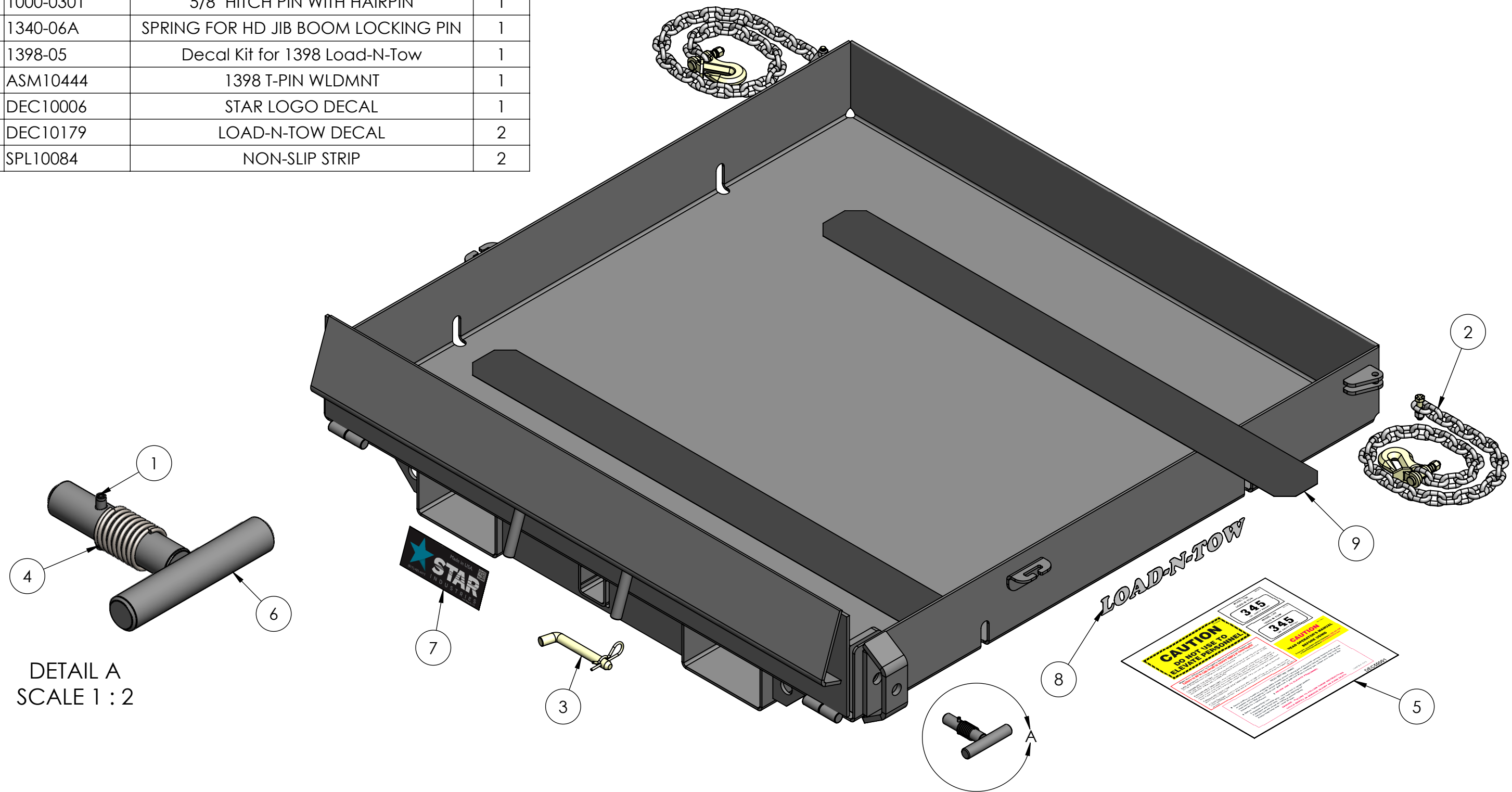


ITEM NO.	PART NUMBER	DESCRIPTION	QTY.
1	30-21640	ROLL PIN PL 3/16X1-1/4	1
2	1000-0117	5/16" SAFETY CHAIN ASSEMBLY NEW	2
3	1000-0301	5/8" HITCH PIN WITH HAIRPIN	1
4	1340-06A	SPRING FOR HD JIB BOOM LOCKING PIN	1
5	1398-05	Decal Kit for 1398 Load-N-Tow	1
6	ASM10444	1398 T-PIN WLDMNT	1
7	DEC10006	STAR LOGO DECAL	1
8	DEC10179	LOAD-N-TOW DECAL	2
9	SPL10084	NON-SLIP STRIP	2

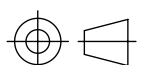


DETAIL A  
SCALE 1 : 2



Phone: (800) 541-1797  
(817) 485-6073  
Fax: (817) 428-6008  
4101 Garland Dr. Fort Worth, TX 76117 Email: mail@starindustries.com

# Parts Diagram

<b>PROPRIETARY AND CONFIDENTIAL</b> THE INFORMATION CONTAINED IN THIS DRAWING IS THE SOLE PROPERTY OF STAR INDUSTRIES. ANY REPRODUCTION IN PART OR AS A WHOLE WITHOUT THE WRITTEN PERMISSION OF STAR INDUSTRIES IS PROHIBITED.	TITLE:	LOAD-N-TOW	
		P-WEIGHT: 346.64 lbs.	DWG. NO. 1398