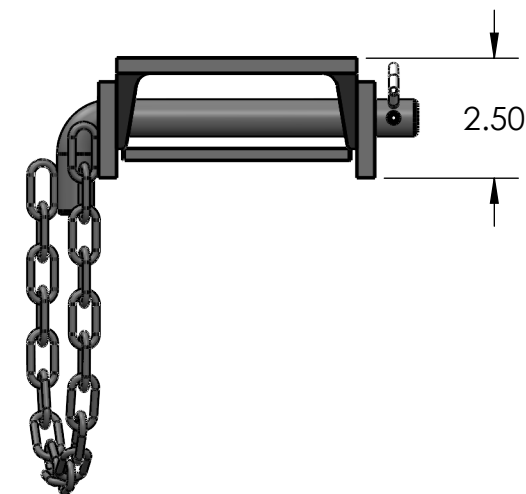
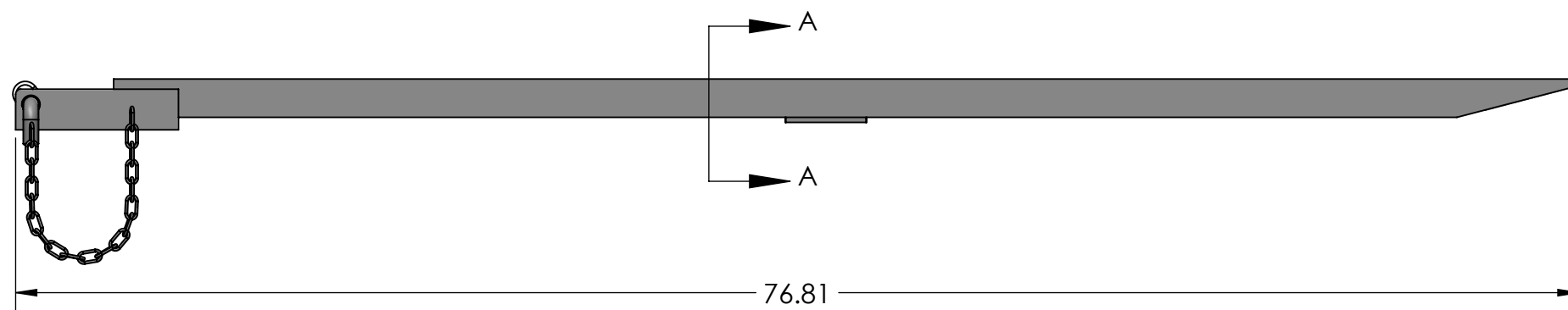
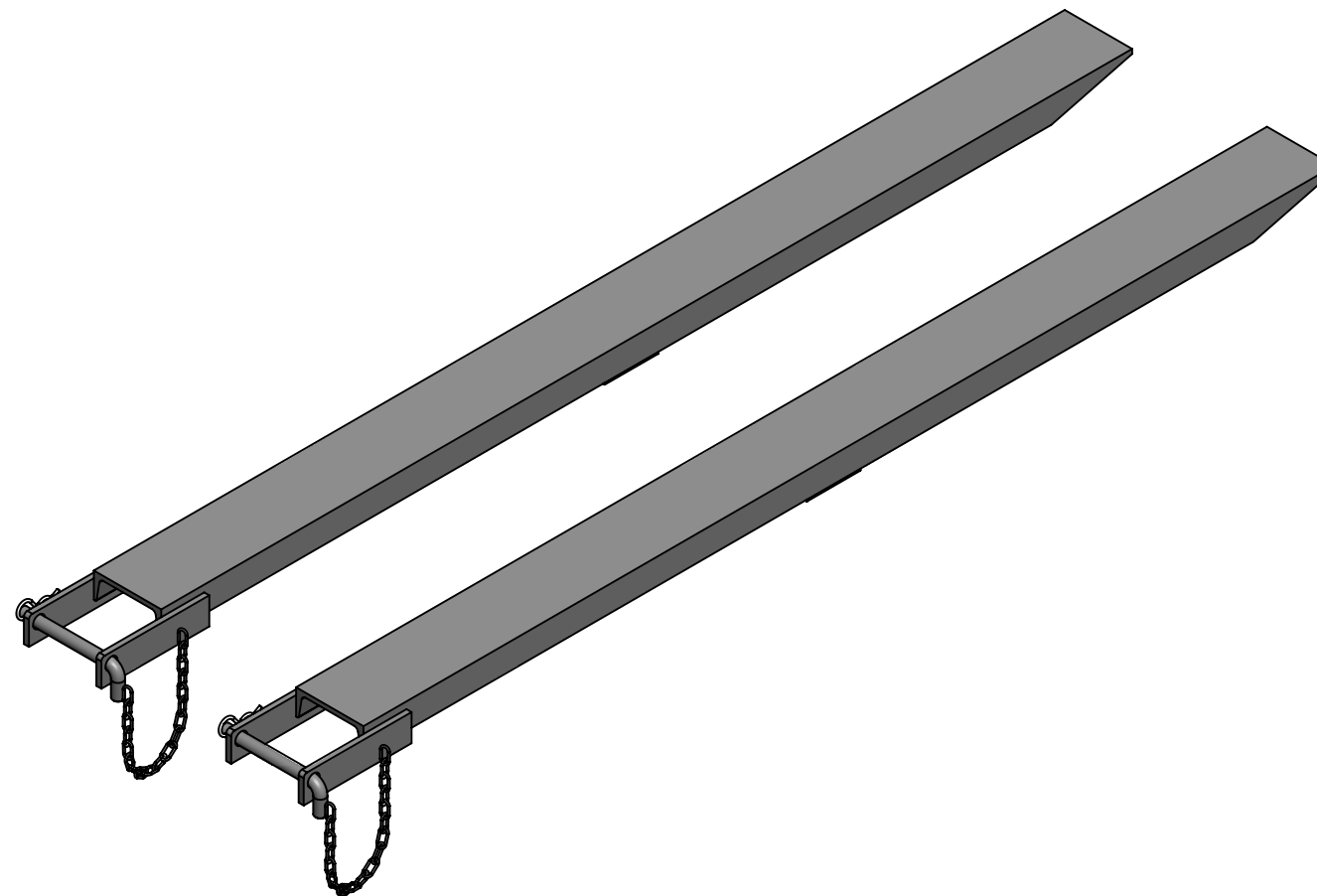


SECTION A-A  
SCALE 1 : 2



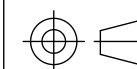

**STAR**  
 INDUSTRIES  
 Phone: (800) 541-1797  
 (817) 485-6073  
 Fax: (817) 428-6008  
 4101 Garland Dr. Fort Worth, TX 76117 Email: mail@starindustries.com

*Dealer Drawing*

**PROPRIETARY AND CONFIDENTIAL**  
 THE INFORMATION CONTAINED IN THIS  
 DRAWING IS THE SOLE PROPERTY OF  
 STAR INDUSTRIES. ANY REPRODUCTION  
 IN PART OR AS A WHOLE WITHOUT  
 THE WRITTEN PERMISSION OF STAR  
 INDUSTRIES IS PROHIBITED.

TITLE:

1664 FORK EXTENSIONS



P-WEIGHT:

DWG. NO.

1664