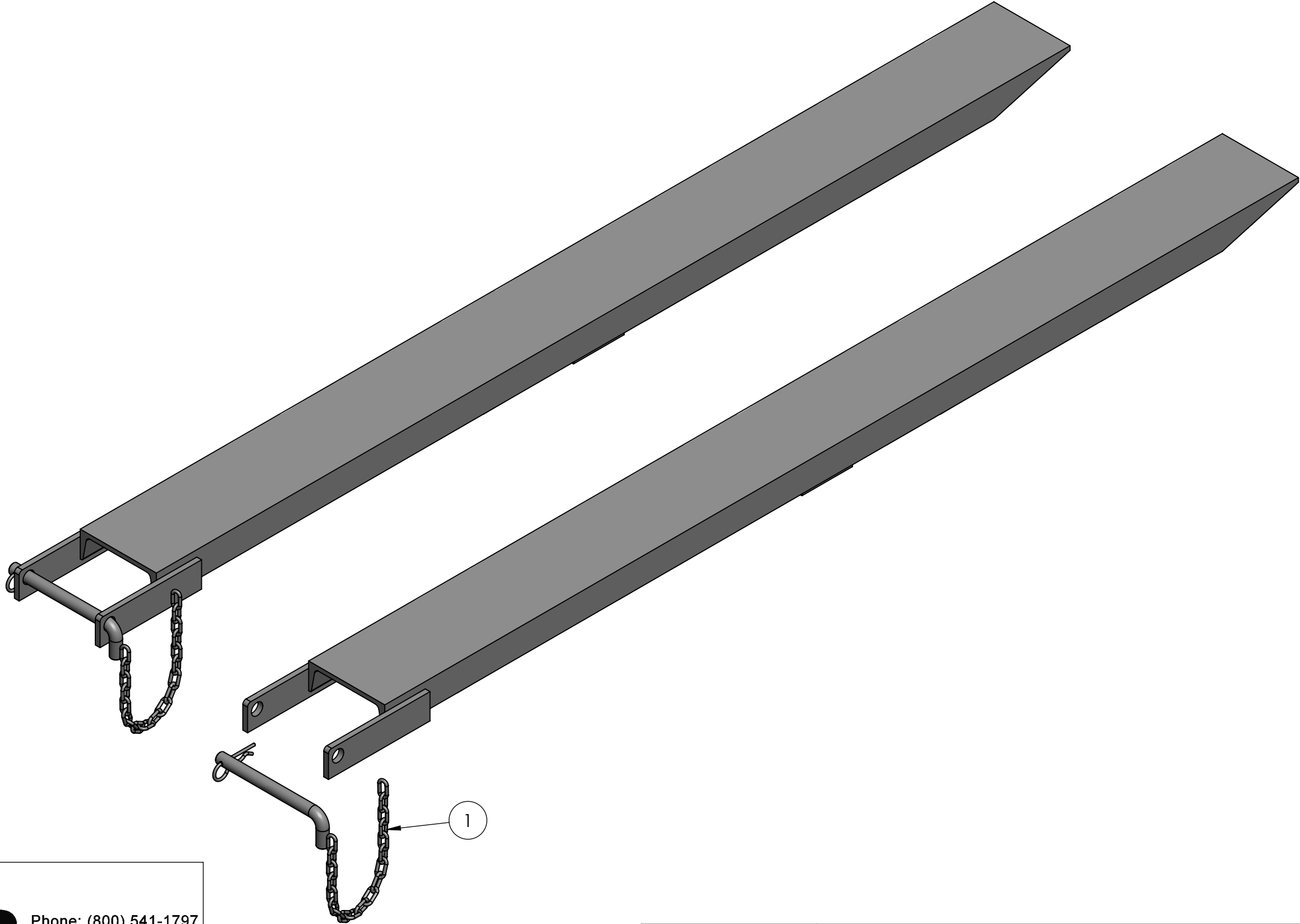


ITEM NO.	PART NUMBER	DESCRIPTION	QTY.
1	1000-0102	8-1/2" x 3/4" Locking Pin w/ Chain (Includes Hair Pin)	2




**STAR**  
 INDUSTRIES  
 Phone: (800) 541-1797  
 (817) 485-6073  
 Fax: (817) 428-6008  
 4101 Garland Dr. Fort Worth, TX 76117 Email: mail@starindustries.com

**Parts Diagram**

<b>PROPRIETARY AND CONFIDENTIAL</b> THE INFORMATION CONTAINED IN THIS DRAWING IS THE SOLE PROPERTY OF STAR INDUSTRIES. ANY REPRODUCTION IN PART OR AS A WHOLE WITHOUT THE WRITTEN PERMISSION OF STAR INDUSTRIES IS PROHIBITED.	TITLE:	1665 FORK EXTENSIONS	
		P-WEIGHT: 139.30 lbs.	DWG. NO. 1665