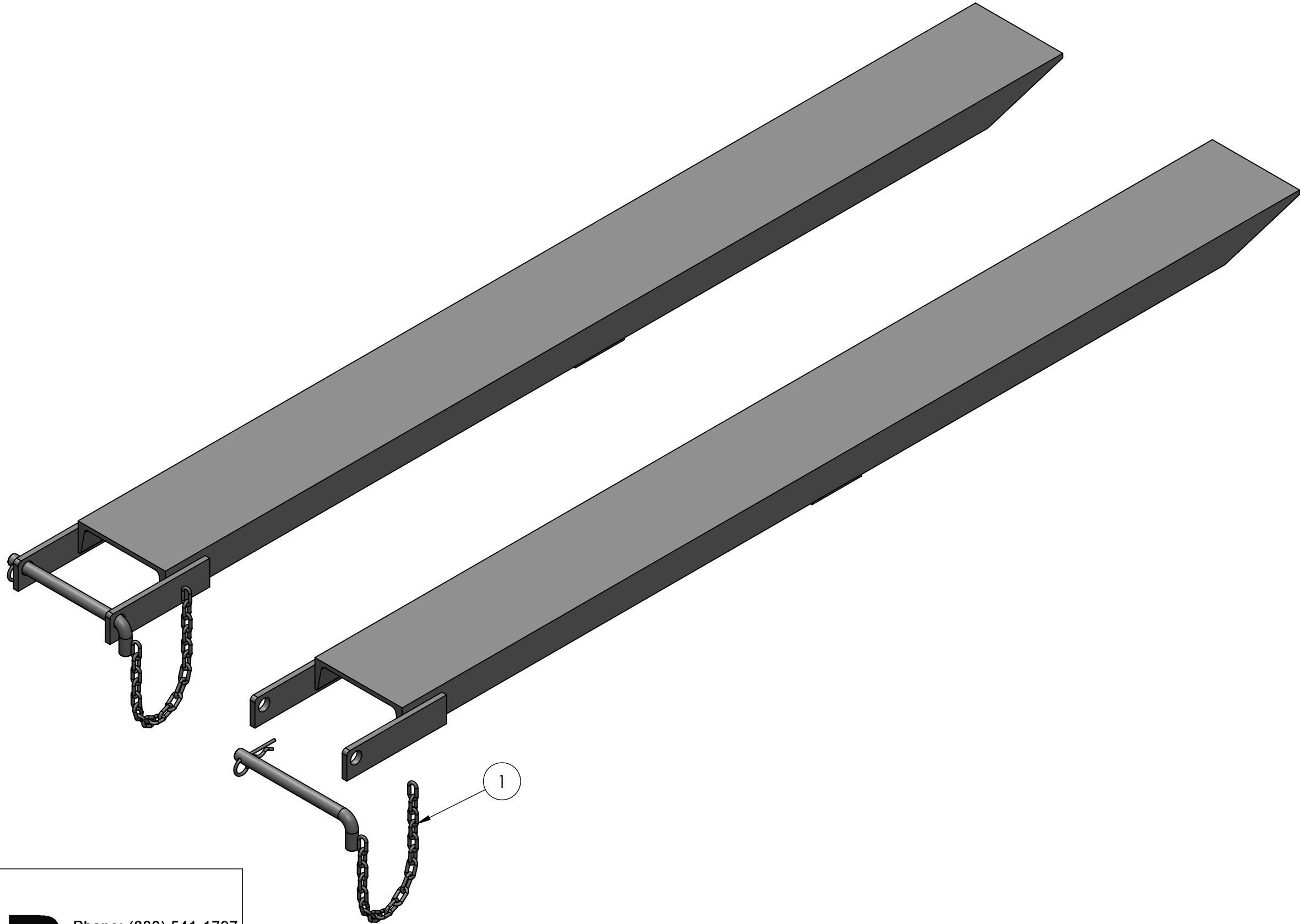


ITEM NO.	PART NUMBER	DESCRIPTION	QTY.
1	1000-0103	9-1/2" x 3/4" Locking Pin w/Chain (Includes Hair Pin)	2



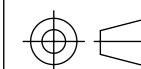

STAR
 INDUSTRIES
 Phone: (800) 541-1797
 (817) 485-6073
 Fax: (817) 428-6008
 4101 Garland Dr. Fort Worth, TX 76117 Email: mail@starindustries.com

Parts Diagram

PROPRIETARY AND CONFIDENTIAL
 THE INFORMATION CONTAINED IN THIS
 DRAWING IS THE SOLE PROPERTY OF
 STAR INDUSTRIES. ANY REPRODUCTION
 IN PART OR AS A WHOLE WITHOUT
 THE WRITTEN PERMISSION OF STAR
 INDUSTRIES IS PROHIBITED.

TITLE:

1666 FORK EXTENSIONS



P-WEIGHT:
 160.88 lbs.

DWG. NO.

1666