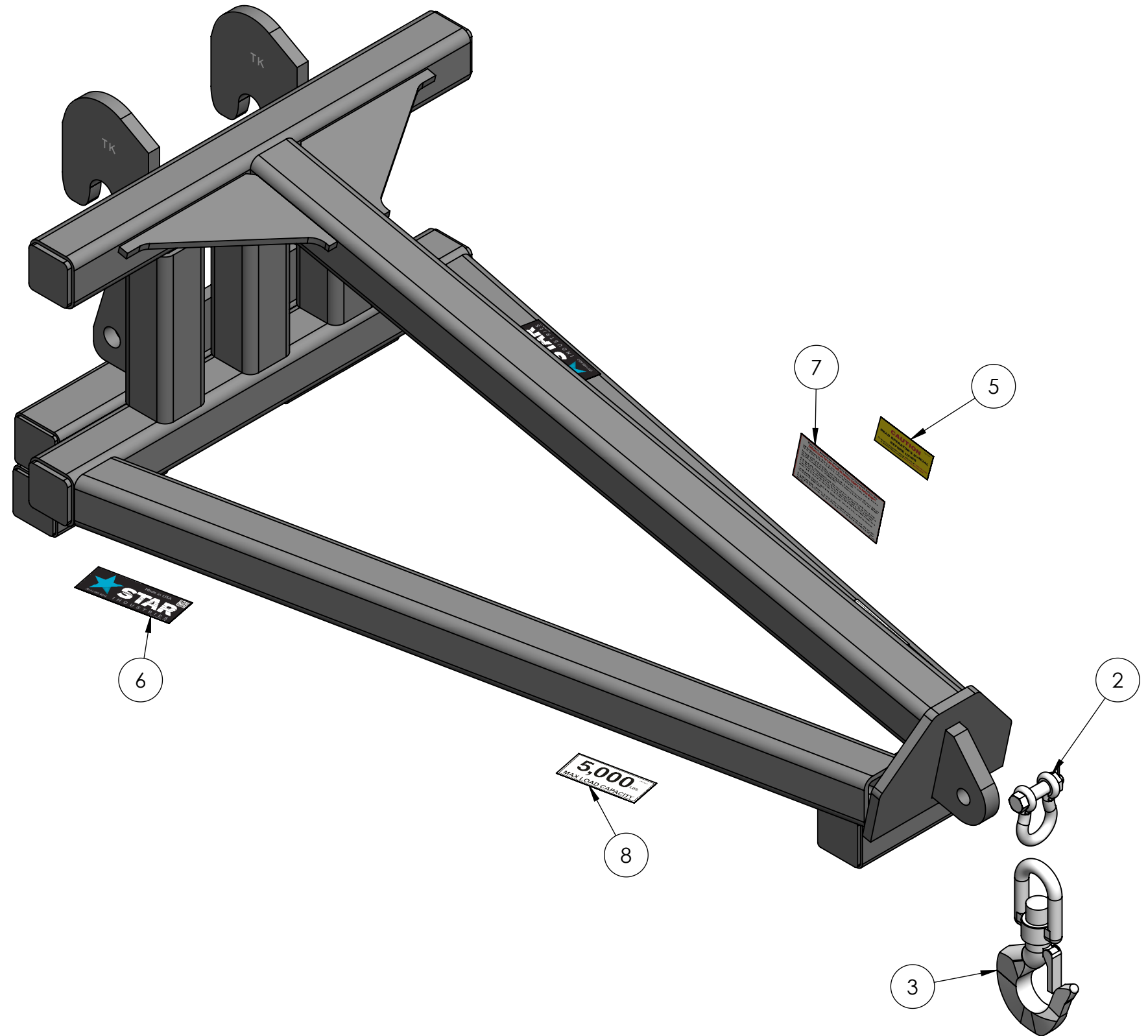
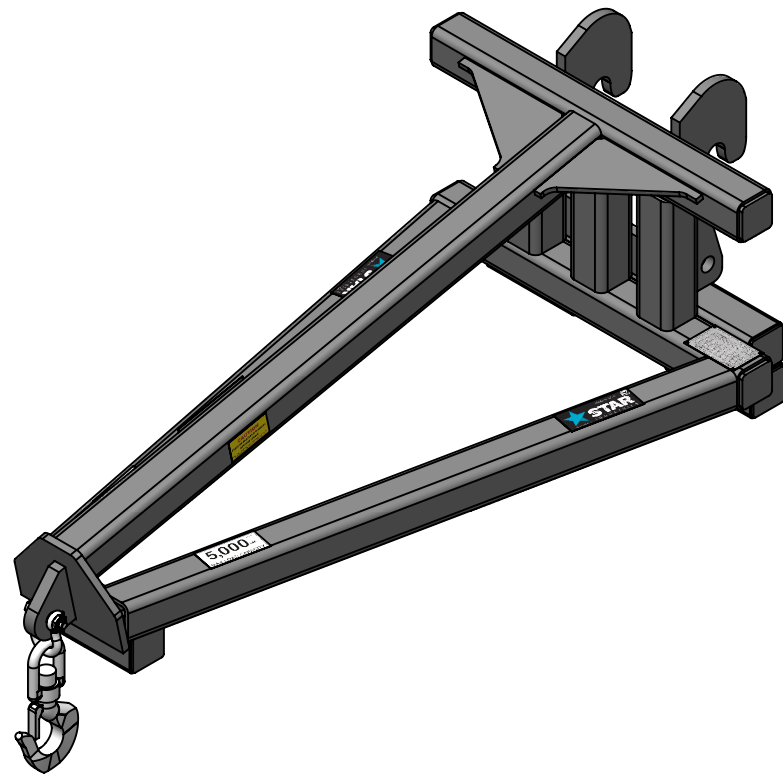


ITEM NO.	PART NUMBER	DESCRIPTION	QTY.
1	1000-0231	3/4" - 7 TON BOLTED ANCHOR SHACKLE	1
2	1000-0265	7 TON SWNL HOOK W/LATCH	1
3	DEC10001	CAUTION - READ OPERATOR'S MANUAL	1
4	DEC10006	STAR LOGO DECAL	2
5	DEC10023	1430 TRASH HOPPER MAX LOAD DECAL	2
6	DEC10018	SECURE TO FORKLIFT DECAL	1



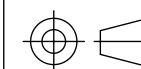

STAR
 INDUSTRIES
 Phone: (800) 541-1797
 (817) 485-6073
 Fax: (817) 428-6008
 4101 Garland Dr. Fort Worth, TX 76117 Email: mail@starindustries.com

Parts Diagram

PROPRIETARY AND CONFIDENTIAL
 THE INFORMATION CONTAINED IN THIS
 DRAWING IS THE SOLE PROPERTY OF
 STAR INDUSTRIES. ANY REPRODUCTION
 IN PART OR AS A WHOLE WITHOUT
 THE WRITTEN PERMISSION OF STAR
 INDUSTRIES IS PROHIBITED.

TITLE:

6FT - 5K TRUSS BOOM FOR SKYTRAK



P-WEIGHT:
 624.37 lbs.

DWG. NO.

1306TK