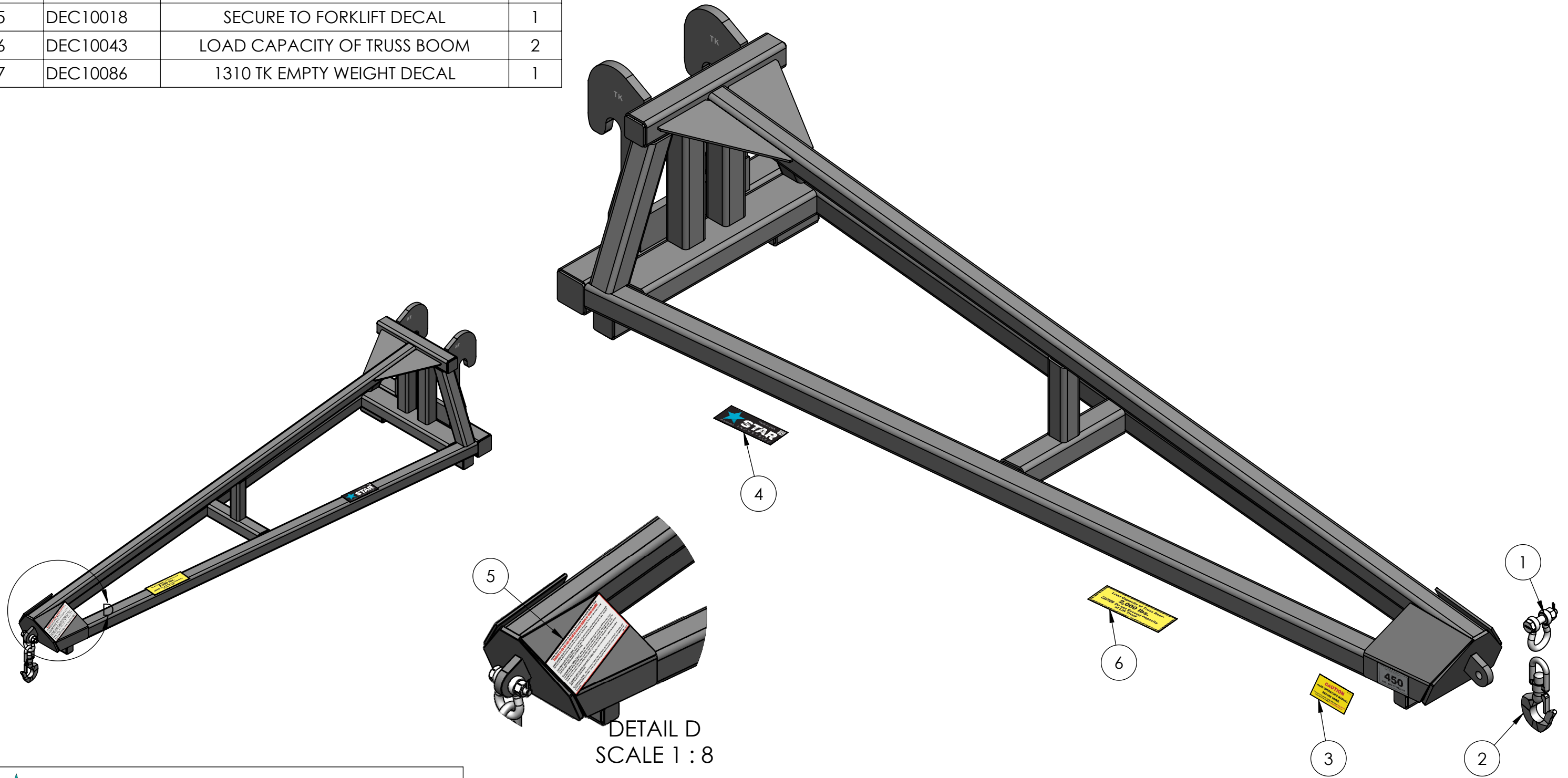


ITEM NO.	PART NUMBER	DESCRIPTION	QTY.
1	1000-0232	5/8"- 3 TON BOLTED ANCHOR SHACKLE	1
2	1000-0250	3 TON SWVL HOOK W/LATCH	1
3	DEC10001	CAUTION - READ OPERATOR'S MANUAL	1
4	DEC10006	STAR LOGO DECAL	2
5	DEC10018	SECURE TO FORKLIFT DECAL	1
6	DEC10043	LOAD CAPACITY OF TRUSS BOOM	2
7	DEC10086	1310 TK EMPTY WEIGHT DECAL	1



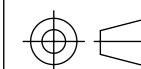

**STAR**  
 INDUSTRIES  
 Phone: (800) 541-1797  
 (817) 485-6073  
 Fax: (817) 428-6008  
 4101 Garland Dr. Fort Worth, TX 76117 Email: mail@starindustries.com

# Parts Diagram

**PROPRIETARY AND CONFIDENTIAL**  
 THE INFORMATION CONTAINED IN THIS DRAWING IS THE SOLE PROPERTY OF STAR INDUSTRIES. ANY REPRODUCTION IN PART OR AS A WHOLE WITHOUT THE WRITTEN PERMISSION OF STAR INDUSTRIES IS PROHIBITED.

TITLE:

1310 TK QT TRUSS BOOM



P-WEIGHT:  
 472.41 lbs.

DWG. NO.

1310TK