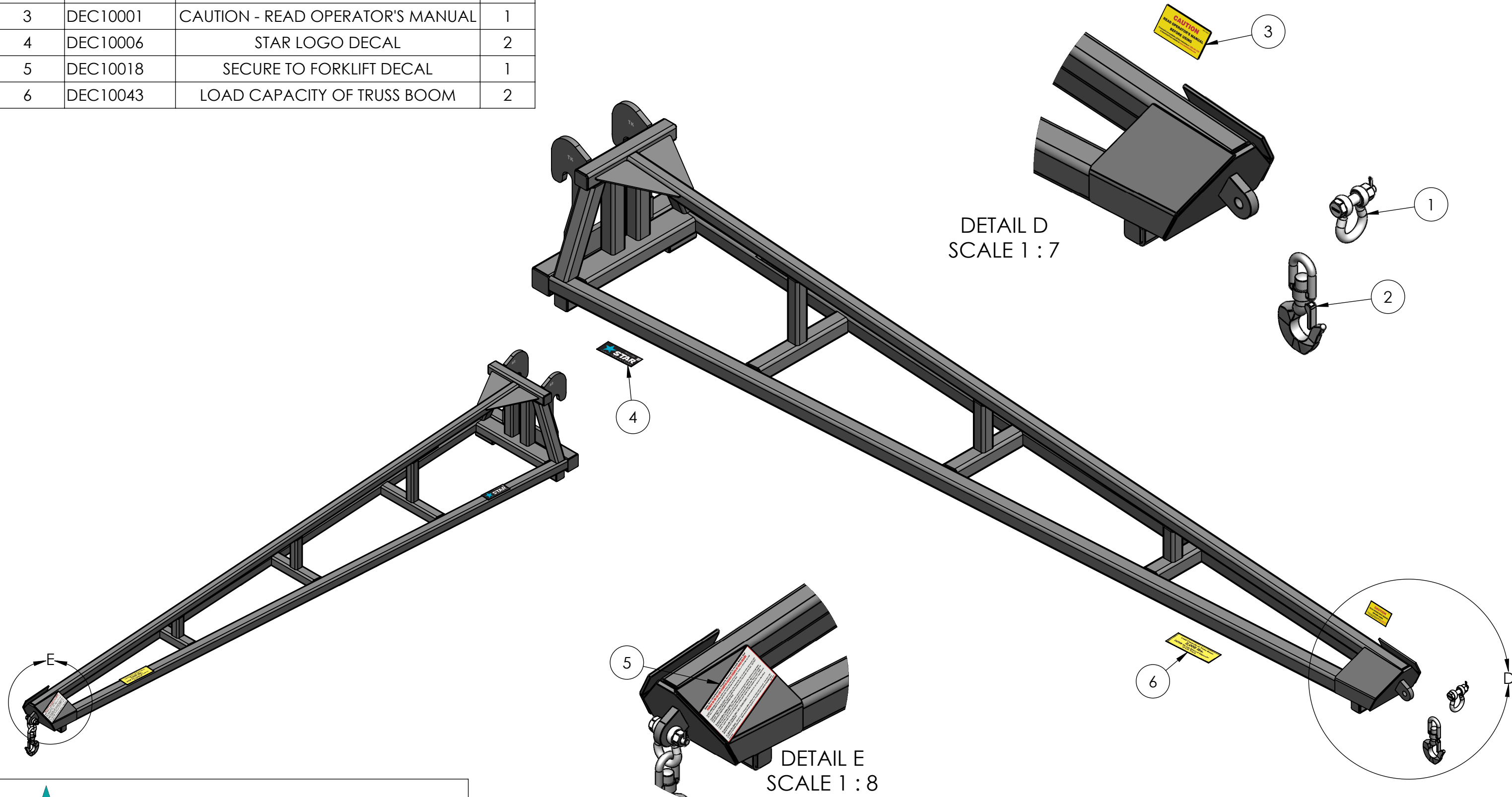


ITEM NO.	PART NUMBER	DESCRIPTION	QTY.
1	1000-0232	5/8" - 3 TON BOLTED ANCHOR SHACKLE	1
2	1000-0250	3 TON SWVL HOOK W/LATCH	1
3	DEC10001	CAUTION - READ OPERATOR'S MANUAL	1
4	DEC10006	STAR LOGO DECAL	2
5	DEC10018	SECURE TO FORKLIFT DECAL	1
6	DEC10043	LOAD CAPACITY OF TRUSS BOOM	2



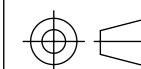

STAR
 INDUSTRIES
 Phone: (800) 541-1797
 (817) 485-6073
 Fax: (817) 428-6008
 4101 Garland Dr. Fort Worth, TX 76117 Email: mail@starindustries.com

Parts Diagram

PROPRIETARY AND CONFIDENTIAL
 THE INFORMATION CONTAINED IN THIS DRAWING IS THE SOLE PROPERTY OF STAR INDUSTRIES. ANY REPRODUCTION IN PART OR AS A WHOLE WITHOUT THE WRITTEN PERMISSION OF STAR INDUSTRIES IS PROHIBITED.

TITLE:

1330 TK TRUSS BOOM



P-WEIGHT:
 639.07 lbs.

DWG. NO.

1330TK