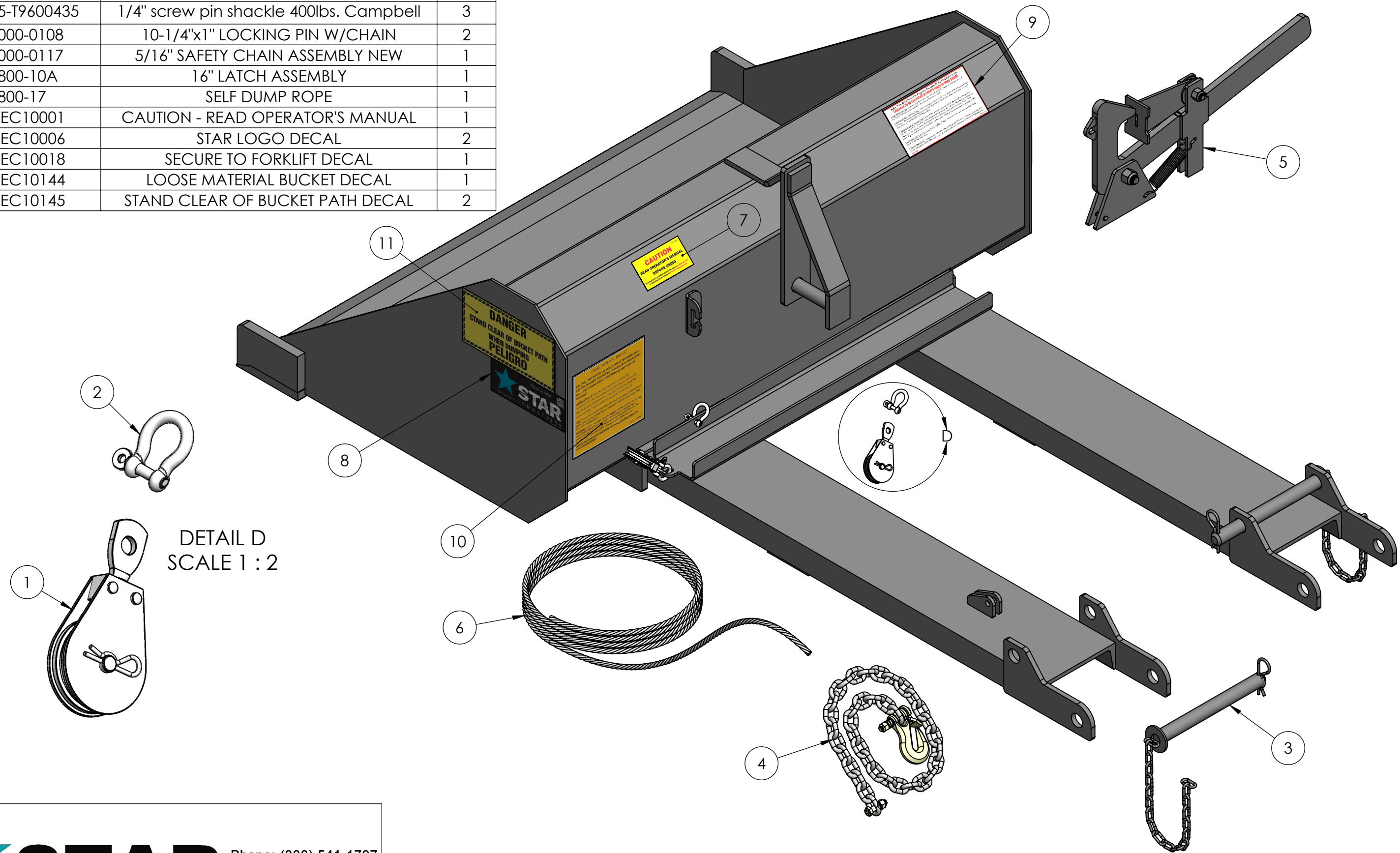
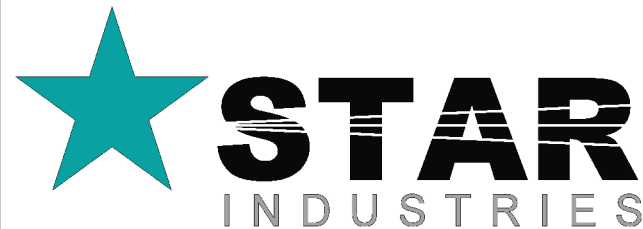


ITEM NO.	PART NUMBER	DESCRIPTION	QTY.
1	15-T7550302	2" HD, swivel eye pulley 480lbs., Campbell	2
2	15-T9600435	1/4" screw pin shackle 400lbs. Campbell	3
3	1000-0108	10-1/4"x1" LOCKING PIN W/CHAIN	2
4	1000-0117	5/16" SAFETY CHAIN ASSEMBLY NEW	1
5	1800-10A	16" LATCH ASSEMBLY	1
6	1800-17	SELF DUMP ROPE	1
7	DEC10001	CAUTION - READ OPERATOR'S MANUAL	1
8	DEC10006	STAR LOGO DECAL	2
9	DEC10018	SECURE TO FORKLIFT DECAL	1
10	DEC10144	LOOSE MATERIAL BUCKET DECAL	1
11	DEC10145	STAND CLEAR OF BUCKET PATH DECAL	2



DETAIL D
SCALE 1 : 2



Phone: (800) 541-1797
(817) 485-6073
Fax: (817) 428-6008

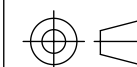
4101 Garland Dr. Fort Worth, TX 76117 Email: mail@starindustries.com

Parts Diagram

PROPRIETARY AND CONFIDENTIAL
THE INFORMATION CONTAINED IN THIS
DRAWING IS THE SOLE PROPERTY OF
STAR INDUSTRIES. ANY REPRODUCTION
IN PART OR AS A WHOLE WITHOUT
THE WRITTEN PERMISSION OF STAR
INDUSTRIES IS PROHIBITED.

TITLE:

1/4 CU YD MANUAL SELF DUMP



P-WEIGHT:
419.68 lbs.

DWG. NO.

1440SD