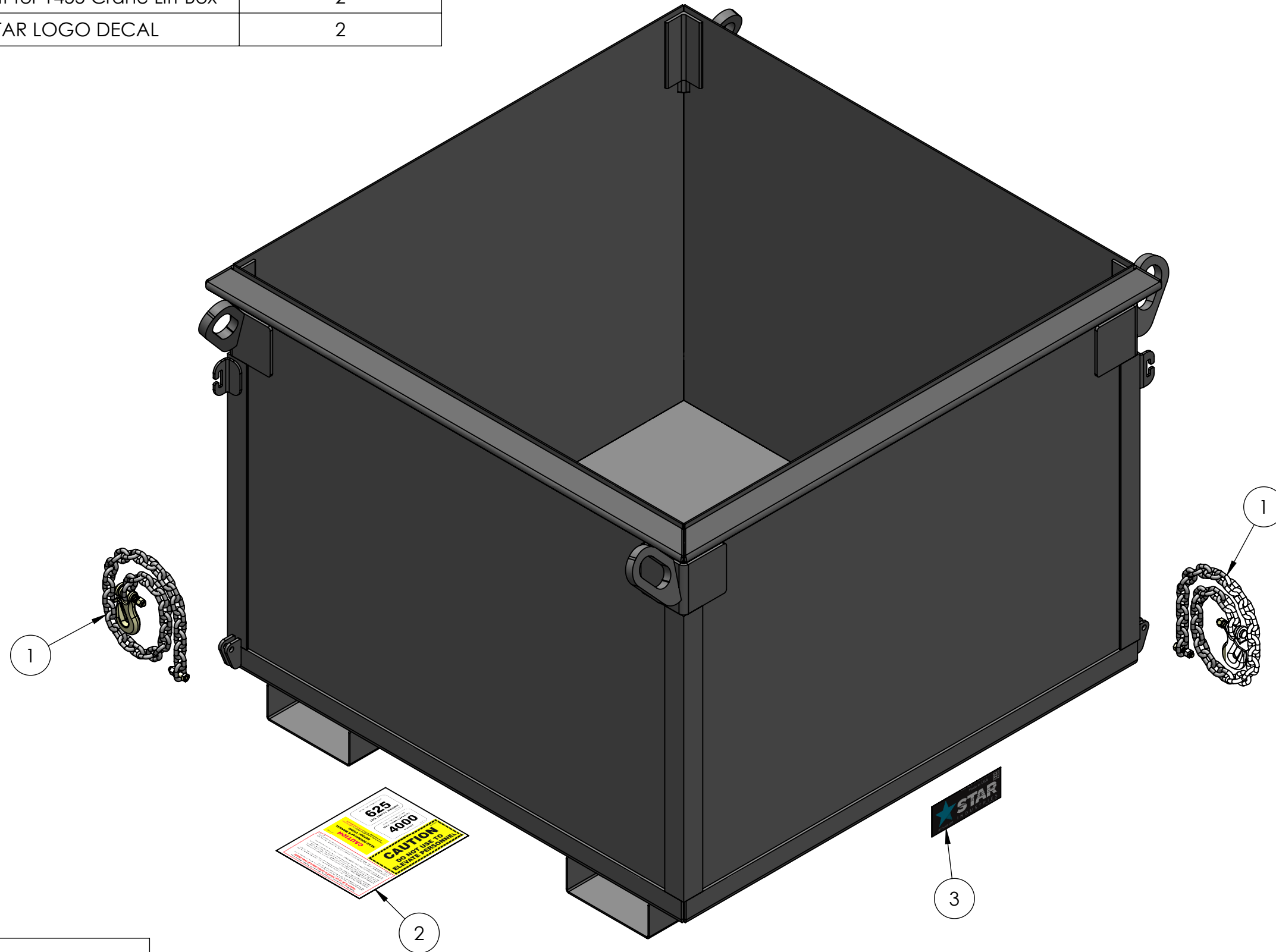


ITEM NO.	PART NUMBER	DESCRIPTION	QTY.
1	1000-0117	5/16" SAFETY CHAIN ASSEMBLY NEW	2
2	1455-05	Decal Kit for 1455 Crane Lift Box	2
3	DEC10006	STAR LOGO DECAL	2



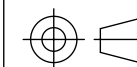
STAR INDUSTRIES
 Phone: (800) 541-1797
 (817) 485-6073
 Fax: (817) 428-6008
 4101 Garland Dr. Fort Worth, TX 76117 Email: mail@starindustries.com

Parts Diagram

PROPRIETARY AND CONFIDENTIAL
 THE INFORMATION CONTAINED IN THIS
 DRAWING IS THE SOLE PROPERTY OF
 STAR INDUSTRIES. ANY REPRODUCTION
 IN PART OR AS A WHOLE WITHOUT
 THE WRITTEN PERMISSION OF STAR
 INDUSTRIES IS PROHIBITED.

TITLE:

CRANE LIFT BOX 4'X4'X3' H



P-WEIGHT:
604.04 lbs.

DWG. NO.

1455