

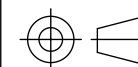
**STAR** INDUSTRIES  
 Phone: (800) 541-1797  
 (817) 485-6073  
 Fax: (817) 428-6008  
 4101 Garland Dr. Fort Worth, TX 76117 Email: mail@starindustries.com

**Dealer Drawing**

PROPRIETARY AND CONFIDENTIAL  
 THE INFORMATION CONTAINED IN THIS  
 DRAWING IS THE SOLE PROPERTY OF  
 STAR INDUSTRIES. ANY REPRODUCTION  
 IN PART OR AS A WHOLE WITHOUT  
 THE WRITTEN PERMISSION OF STAR  
 INDUSTRIES IS PROHIBITED.

TITLE:

1 CU YD SELF DUMP MANUAL BUCKET



P-WEIGHT:  
716.03 lbs.

DWG. NO.

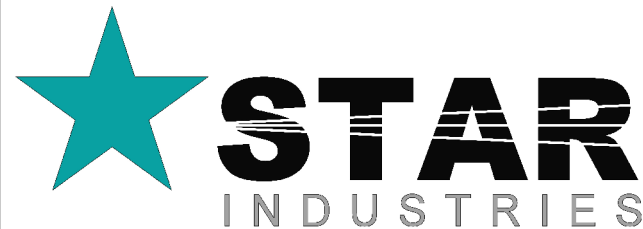
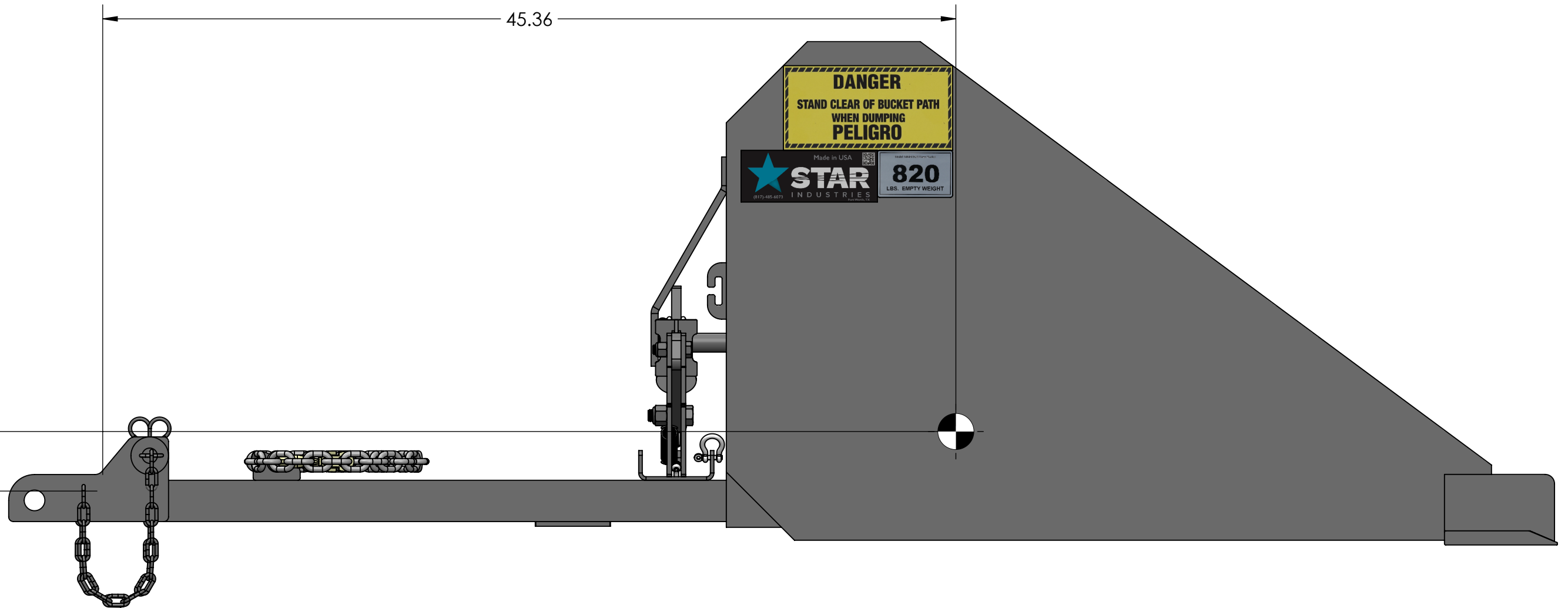
1484SD

**HORIZONTAL  
LOAD CENTER**

45.36

**VERTICAL  
LOAD CENTER**

3.16



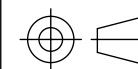
Phone: (800) 541-1797  
(817) 485-6073  
Fax: (817) 428-6008

4101 Garland Dr. Fort Worth, TX 76117 Email: mail@starindustries.com

**Dealer Drawing**

**PROPRIETARY AND CONFIDENTIAL**  
THE INFORMATION CONTAINED IN THIS  
DRAWING IS THE SOLE PROPERTY OF  
STAR INDUSTRIES. ANY REPRODUCTION  
IN PART OR AS A WHOLE WITHOUT  
THE WRITTEN PERMISSION OF STAR  
INDUSTRIES IS PROHIBITED.

TITLE: 1 CU YD SELF DUMP MANUAL BUCKET



P-WEIGHT:  
716.03 lbs.

DWG. NO.

1484SD