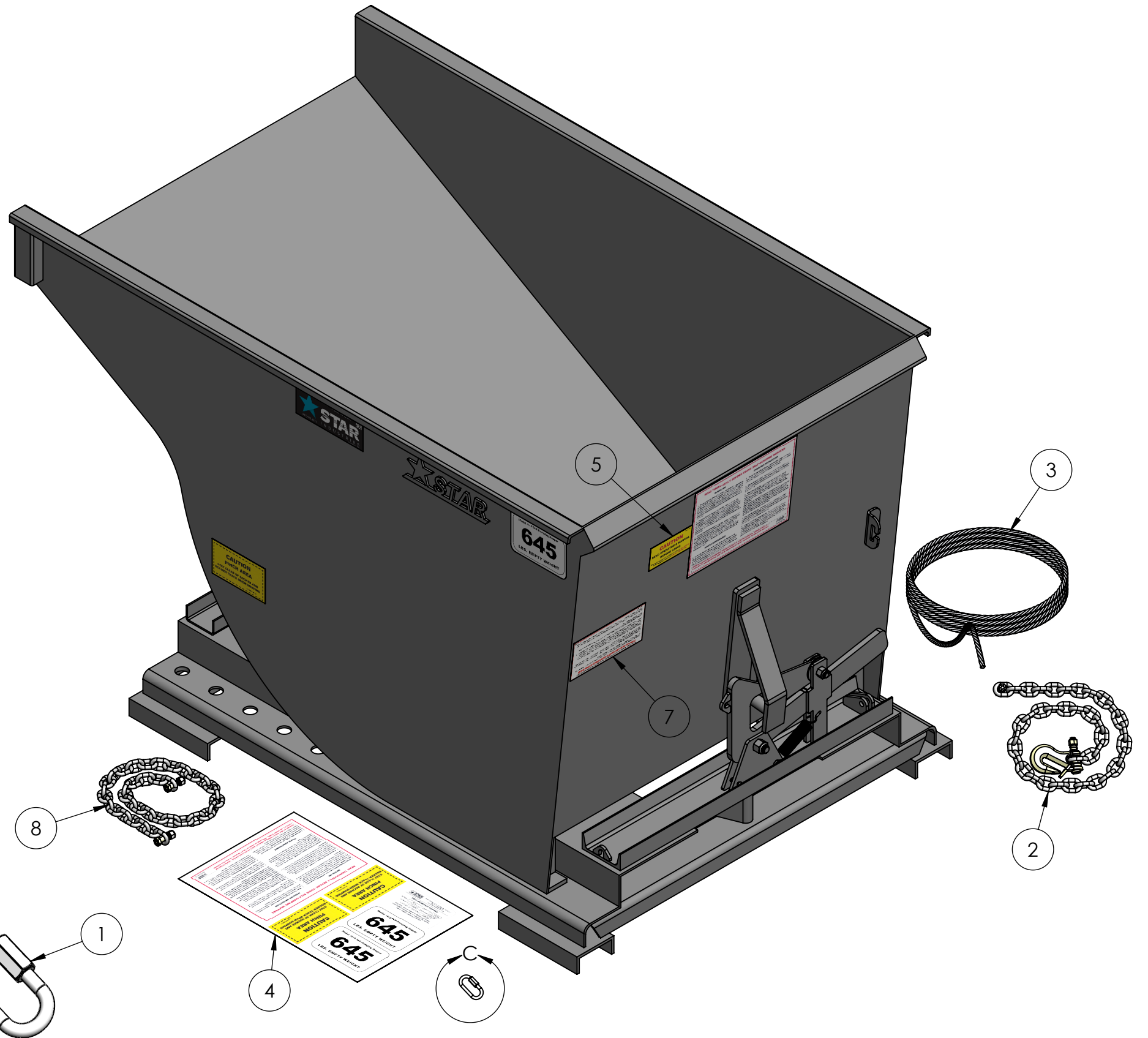
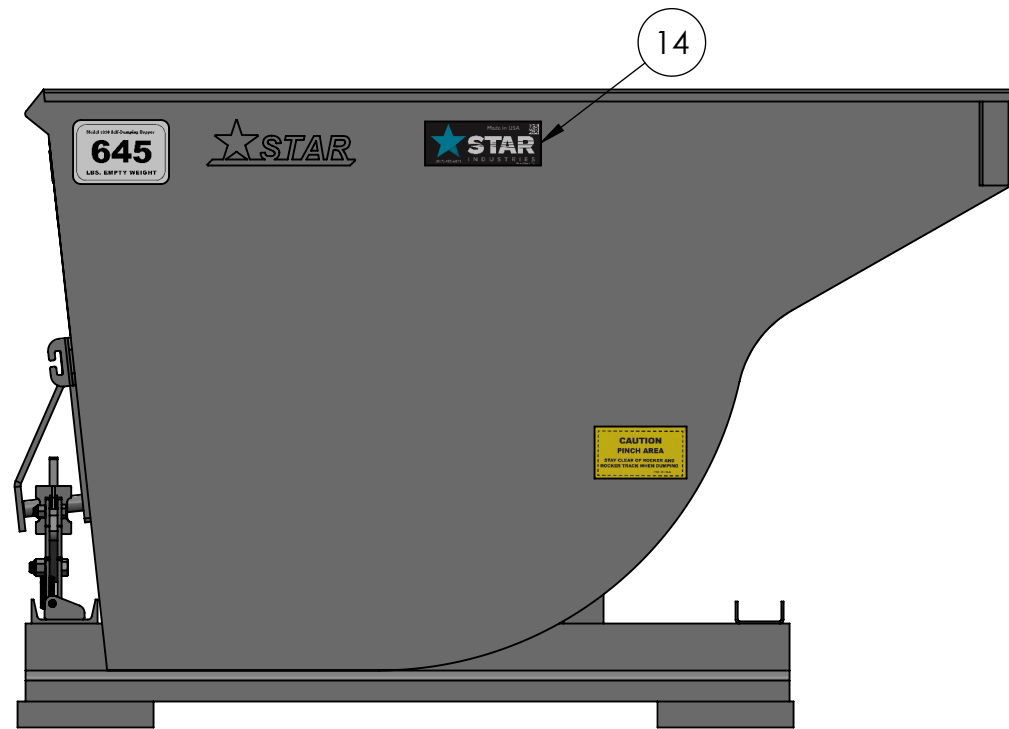
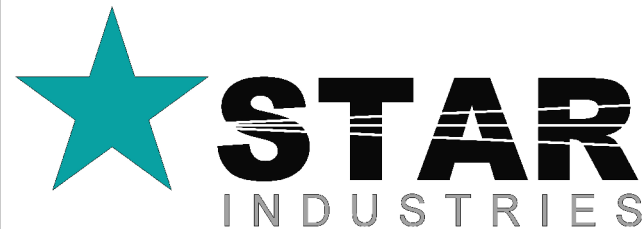


ITEM NO.	PART NUMBER	DESCRIPTION	QTY.
1	30-8947T44	OVAL SHAPED THREADED CONN LINK 9/32	1
2	1000-0117	5/16" SAFETY CHAIN ASSEMBLY NEW	1
3	1800-17	SELF DUMP ROPE	1
4	1810-05	Decal Kit for 1810 SD Hopper	1
5	DEC10001	CAUTION - READ OPERATOR'S MANUAL	1
6	DEC10006	STAR LOGO DECAL	2
7	DEC10018	SECURE TO FORKLIFT DECAL	1
8	PRT10063	SAFETY CHAIN	1



DETAIL C  
SCALE 1 : 2



Phone: (800) 541-1797  
(817) 485-6073  
Fax: (817) 428-6008

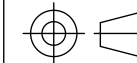
4101 Garland Dr. Fort Worth, TX 76117 Email: mail@starindustries.com

# Parts Diagram

PROPRIETARY AND CONFIDENTIAL  
THE INFORMATION CONTAINED IN THIS  
DRAWING IS THE SOLE PROPERTY OF  
STAR INDUSTRIES. ANY REPRODUCTION  
IN PART OR AS A WHOLE WITHOUT  
THE WRITTEN PERMISSION OF STAR  
INDUSTRIES IS PROHIBITED.

TITLE:

1.0CY SELF DUMP HOPPER



P-WEIGHT:  
615.09 lbs.

DWG. NO.

1810