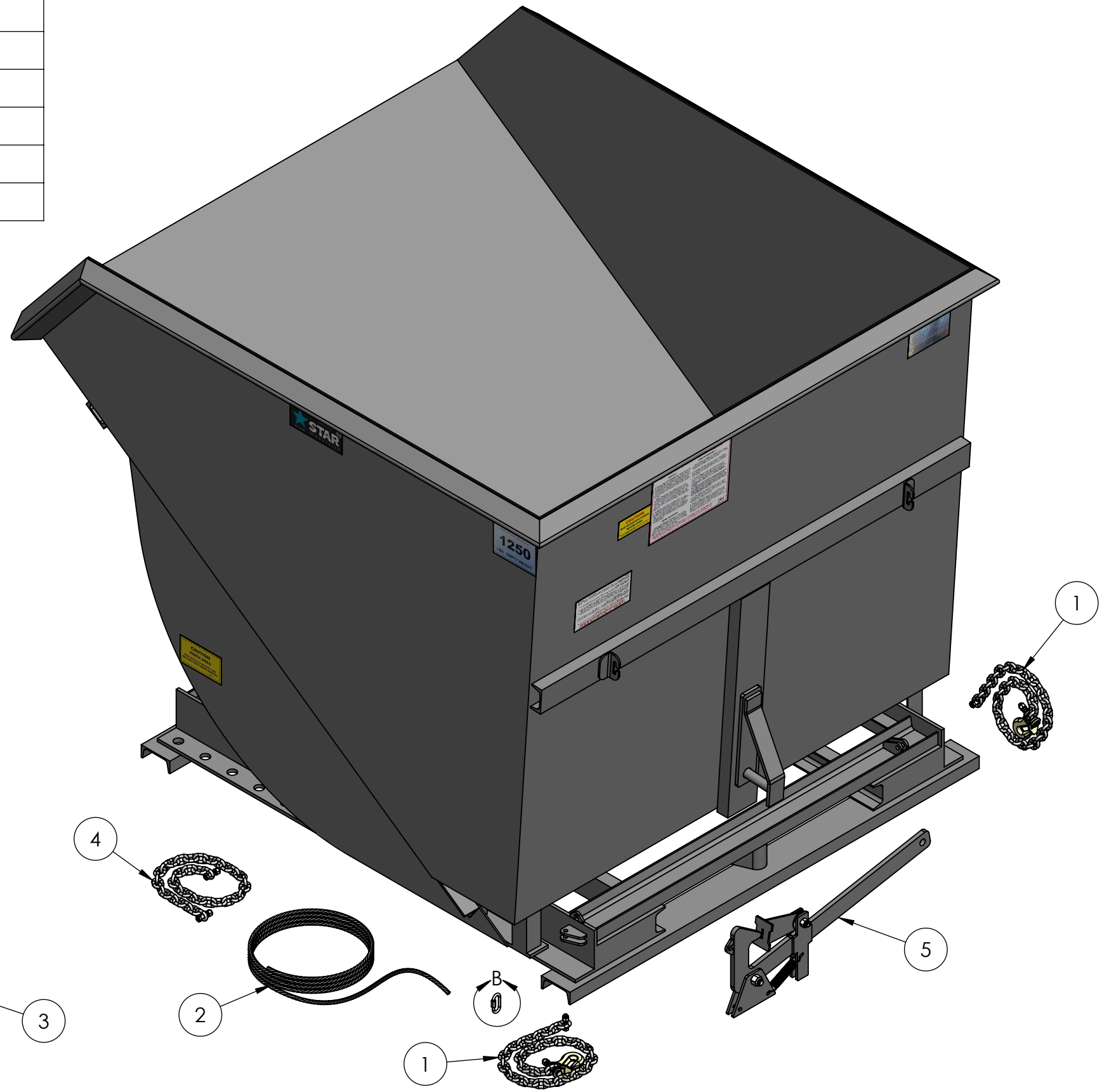
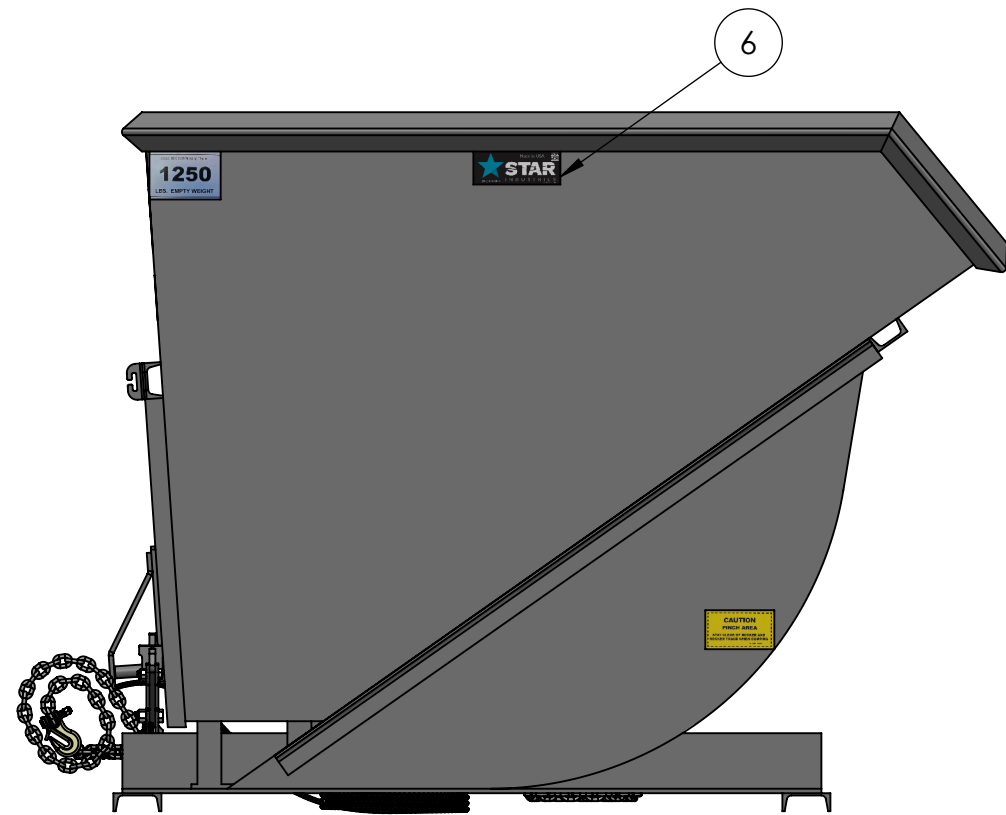
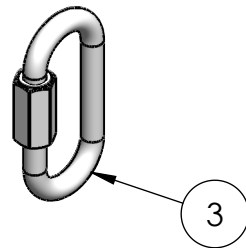


ITEM NO.	PART NUMBER	DESCRIPTION	QTY.
1	1000-0117	5/16" SAFETY CHAIN ASSEMBLY NEW	2
2	1800-17	SELF DUMP ROPE	1
3	30-8947T44	OVAL SHAPED THREADED CONN LINK 9/32	1
4	PRT10063	SAFETY CHAIN	1
5	1800-10B	22" LATCH ASSEMBLY	1
6	DEC10006	STAR LOGO DECAL	2



DETAIL B  
SCALE 1 : 2



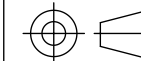
**STAR** INDUSTRIES  
 Phone: (800) 541-1797  
 (817) 485-6073  
 Fax: (817) 428-6008  
 4101 Garland Dr. Fort Worth, TX 76117 Email: mail@starindustries.com

# Parts Diagram

**PROPRIETARY AND CONFIDENTIAL**  
 THE INFORMATION CONTAINED IN THIS DRAWING IS THE SOLE PROPERTY OF STAR INDUSTRIES. ANY REPRODUCTION IN PART OR AS A WHOLE WITHOUT THE WRITTEN PERMISSION OF STAR INDUSTRIES IS PROHIBITED.

TITLE:

3.0CY SELF-DUMP HOPPER



P-WEIGHT:  
1330.32 lbs.

DWG. NO.

1830