

**LP22A-60 LOW PROFILE  
60" SKID-STEER BUCKET**

UNLESS OTHERWISE SPECIFIED:

DIMENSIONS ARE IN INCHES  
TOLERANCES:  $\pm 1/16$   
FRACTIONAL  $\pm$   
ANGULAR: MACH  $\pm$  BEND  $\pm$   
TWO PLACE DECIMAL  $\pm$   
THREE PLACE DECIMAL  $\pm$

INTERPRET GEOMETRIC  
TOLERANCING PER:

MATERIAL  
REFER PARTS DETAILS

FINISH

DO NOT SCALE DRAWING

	NAME	DATE
DRAWN	HI-TECH	12/16/2019
CHECKED		
ENG APPR.		
MFG APPR.		
Q.A.		

COMMENTS:



TITLE:  
**LP22A-60 LOW PROFILE 60"  
SKID-STEER BUCKET**

SIZE

**A**

DWG. NO.

LP22A-60-DLR

REV

**0**

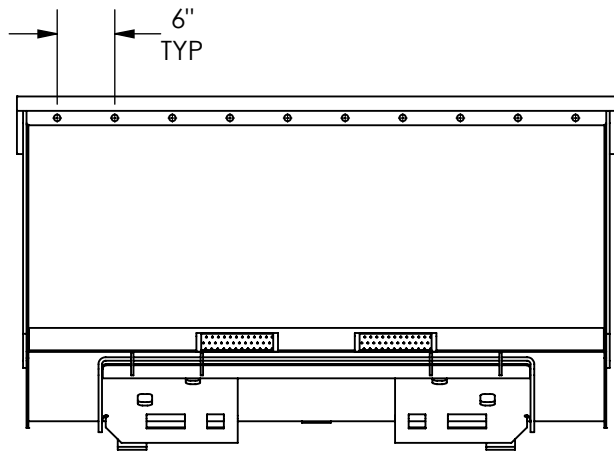
SCALE: 1:10

WEIGHT: 0.2484460.53

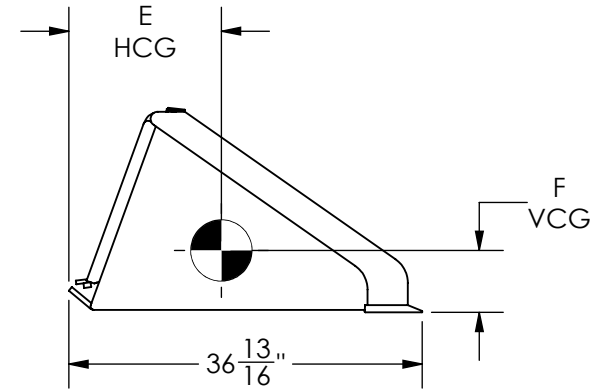
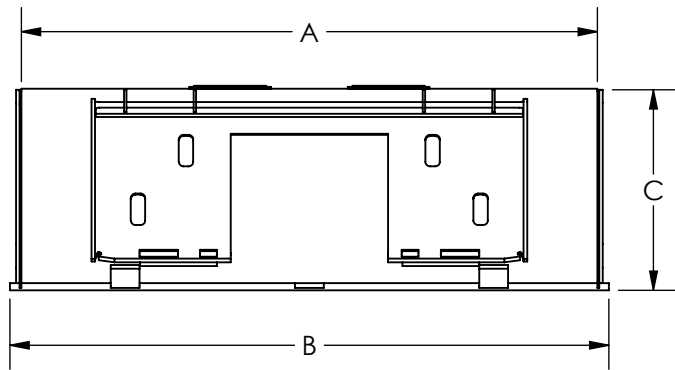
LBS

SHEET 1 OF 2

**PROPRIETARY AND CONFIDENTIAL**  
THE INFORMATION CONTAINED IN THIS  
DRAWING IS THE SOLE PROPERTY OF  
STAR INDUSTRIES. ANY  
REPRODUCTION IN PART OR AS A WHOLE  
WITHOUT THE WRITTEN PERMISSION OF  
STAR INDUSTRIES IS PROHIBITED.



# LP22A-60 LOW PROFILE 60" SKID-STEER BUCKET



MODEL NO	A	B	C	D	E	F	HEAPED CAPACITY (CYD)	EMPTY WEIGHT
LP22A-60	60"	62 3/8"	20 7/8"	36 13/16"	15 7/8"	6 1/4"	0.648	460.53 LBS

SIZE <b>A</b>	DWG. NO. LP22A-60-DLR	REV <b>0</b>
SCALE: 1:20	WEIGHT: 460.53 LBS	SHEET 2 OF 2