

**LP22A-60T LOW PROFILE
60" SKID-STEER BUCKET**

PROPRIETARY AND CONFIDENTIAL
 THE INFORMATION CONTAINED IN THIS DRAWING IS THE SOLE PROPERTY OF STAR INDUSTRIES. ANY REPRODUCTION IN PART OR AS A WHOLE WITHOUT THE WRITTEN PERMISSION OF STAR INDUSTRIES IS PROHIBITED.

UNLESS OTHERWISE SPECIFIED:
 DIMENSIONS ARE IN INCHES
 TOLERANCES: $\pm 1/16$
 FRACTIONAL \pm
 ANGULAR: MACH \pm BEND \pm
 TWO PLACE DECIMAL \pm
 THREE PLACE DECIMAL \pm

INTERPRET GEOMETRIC TOLERANCING PER:
 MATERIAL REFER PARTS DETAILS
 FINISH

DO NOT SCALE DRAWING

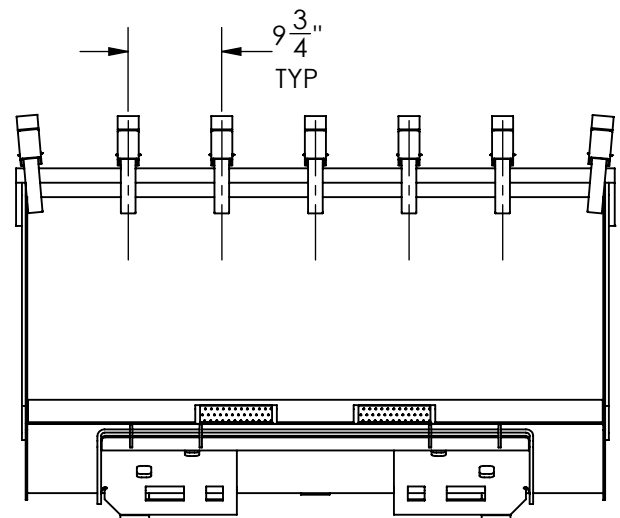
	NAME	DATE
DRAWN	HI-TECH	12/17/2019
CHECKED		
ENG APPR.		
MFG APPR.		
Q.A.		
COMMENTS:		



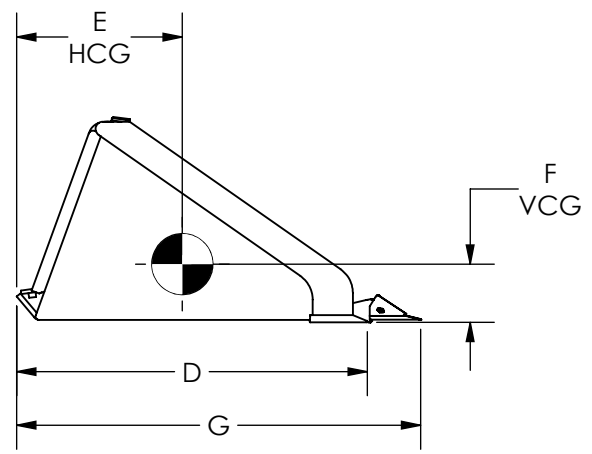
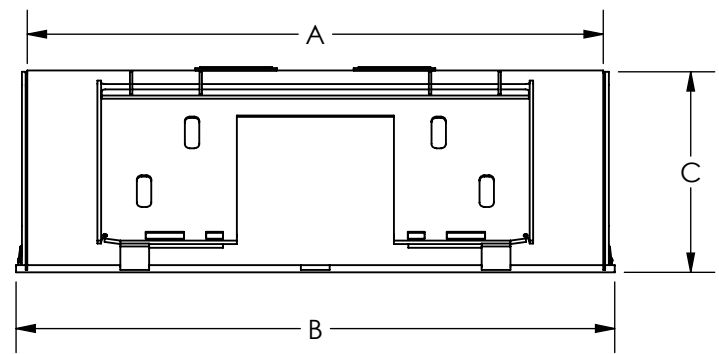
TITLE:
**LP22A-60T LOW PROFILE
 60" SKID-STEER BUCKET**

SIZE A	DWG. NO. LP22A-60T-DLR	REV 0
------------------	---------------------------	-----------------

SCALE: 1:10 WEIGHT: 0.2484501.00 SHEET 1 OF 2
 LBS



LP22A-60T LOW PROFILE 60" SKID-STEER BUCKET



MODEL NO	A	B	C	D	E	F	G	HEAPED CAPACITY (CYD)	EMPTY WEIGHT
LP22A-60T	60"	62 3/8"	20 7/8"	36 13/16"	17 9/16"	5 7/8"	42 3/8"	0.648	501.00 LBS

SIZE A	DWG. NO. LP22A-60T-DLR	REV 0
SCALE: 1:20	WEIGHT: 501.00 LBS	SHEET 2 OF 2