

**LP22A-66 LOW PROFILE
66\"/>**

PROPRIETARY AND CONFIDENTIAL
 THE INFORMATION CONTAINED IN THIS DRAWING IS THE SOLE PROPERTY OF STAR INDUSTRIES. ANY REPRODUCTION IN PART OR AS A WHOLE WITHOUT THE WRITTEN PERMISSION OF STAR INDUSTRIES IS PROHIBITED.

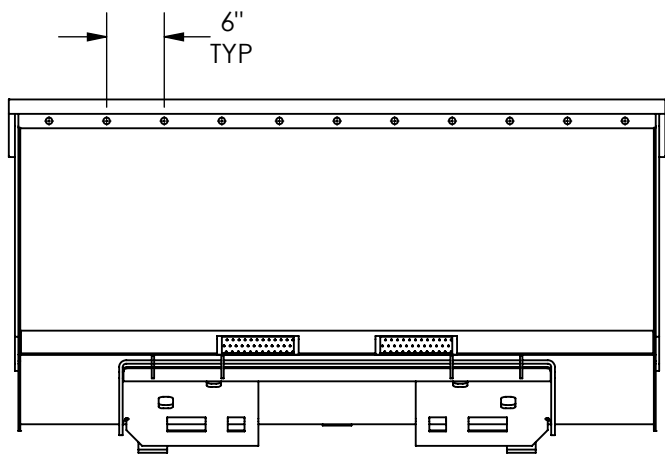
UNLESS OTHERWISE SPECIFIED:	NAME	DATE
DIMENSIONS ARE IN INCHES	DRAWN	HI-TECH 12/17/2019
TOLERANCES: $\pm 1/16$	CHECKED	
FRACTIONAL \pm	ENG APPR.	
ANGULAR: MACH \pm BEND \pm	MFG APPR.	
TWO PLACE DECIMAL \pm	Q.A.	
THREE PLACE DECIMAL \pm	COMMENTS:	
INTERPRET GEOMETRIC TOLERANCING PER:		
MATERIAL REFER PARTS DETAILS		
FINISH		
DO NOT SCALE DRAWING		



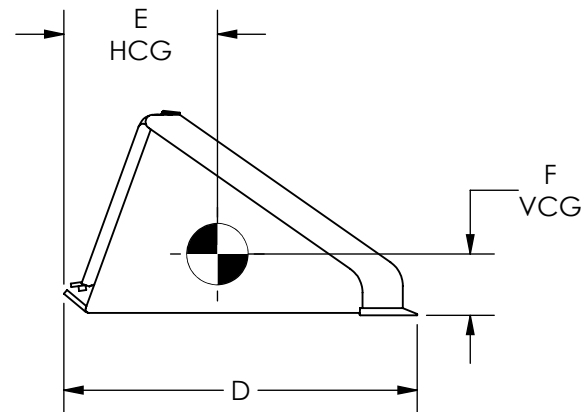
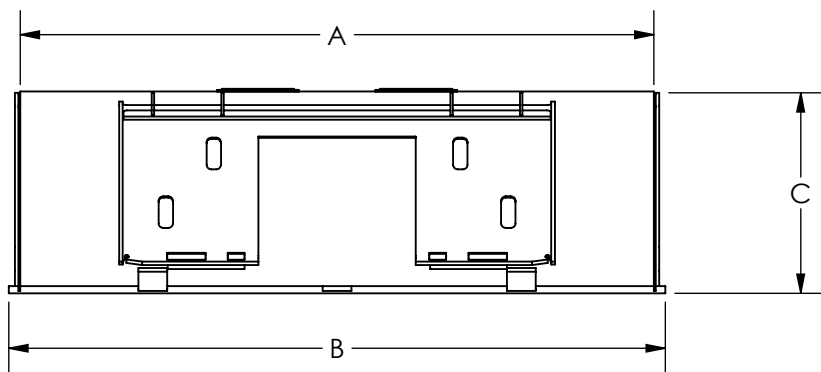
TITLE:
LP22A-66 LOW PROFILE 66\"/>

SIZE A	DWG. NO. LP22A-66-DLR	REV 0
------------------	--------------------------	-----------------

SCALE: 1:10 WEIGHT: 0.2484488.52 SHEET 1 OF 2
 LBS



LP22A-66 LOW PROFILE 66" SKID-STEER BUCKET



MODEL NO	A	B	C	D	E	F	HEAPED CAPACITY (CYD)	EMPTY WEIGHT
LP22A-66	66"	68 3/8"	20 7/8"	36 13/16"	16"	6 3/16"	0.719	488.52 LBS

SIZE A	DWG. NO. LP22A-66-DLR	REV 0
SCALE: 1:20	WEIGHT: 488.52 LBS	SHEET 2 OF 2