


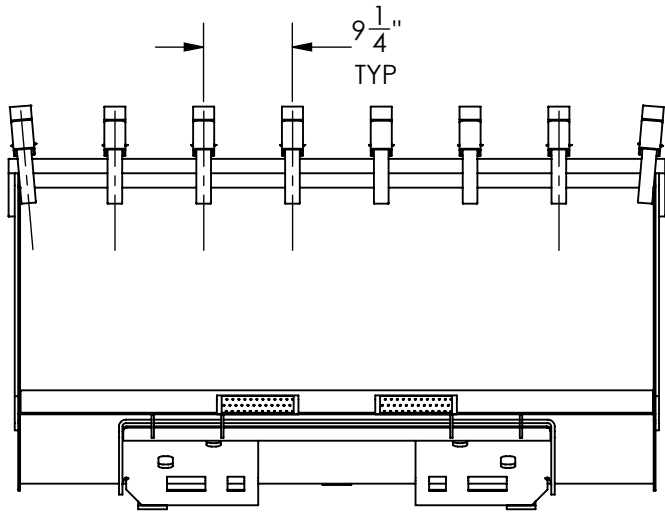
**LP22A-66T LOW PROFILE
66" SKID-STEER BUCKET**

PROPRIETARY AND CONFIDENTIAL
 THE INFORMATION CONTAINED IN THIS DRAWING IS THE SOLE PROPERTY OF STAR INDUSTRIES. ANY REPRODUCTION IN PART OR AS A WHOLE WITHOUT THE WRITTEN PERMISSION OF STAR INDUSTRIES IS PROHIBITED.

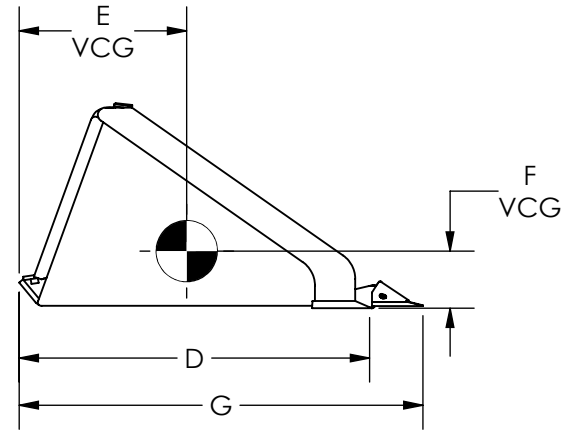
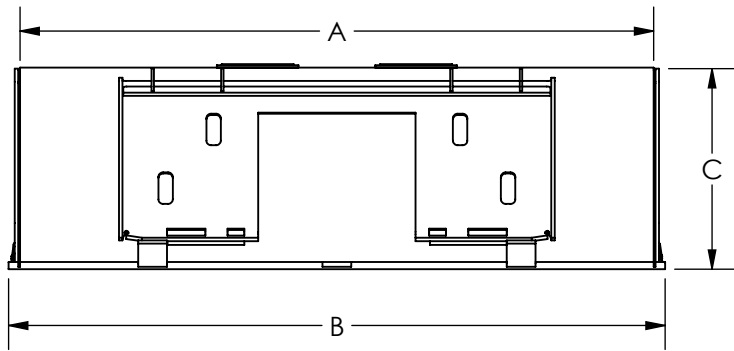
UNLESS OTHERWISE SPECIFIED:	
DIMENSIONS ARE IN INCHES	
TOLERANCES: $\pm 1/16$	
FRACTIONAL \pm	
ANGULAR: MACH \pm BEND \pm	
TWO PLACE DECIMAL \pm	
THREE PLACE DECIMAL \pm	
INTERPRET GEOMETRIC TOLERANCING PER:	
MATERIAL	REFER PARTS DETAILS
FINISH	
DO NOT SCALE DRAWING	

	NAME	DATE
DRAWN	HI-TECH	12/17/2019
CHECKED		
ENG APPR.		
MFG APPR.		
Q.A.		
COMMENTS:		

		
TITLE: LP22A-66T LOW PROFILE 66" SKID-STEER BUCKET		
SIZE A	DWG. NO. LP22A-66T-DLR	REV 0
SCALE: 1:10		WEIGHT: 0.2484534.38 <small>LBS</small>
SHEET 1 OF 2		



LP22A-66T LOW PROFILE 66" SKID-STEER BUCKET



MODEL NO	A	B	C	D	E	F	G	HEAPED CAPACITY (CYD)	EMPTY WEIGHT
LP22A-66T	60"	68 3/8"	20 7/8"	36 13/16"	17 13/16"	5 3/4"	42 3/8"	0.719	534.38 LBS

SIZE A	DWG. NO. LP22A-66T-DLR	REV 0
SCALE: 1:20	WEIGHT: 534.38 LBS	SHEET 2 OF 2