

**LP22A-78T LOW PROFILE
78"SKID-STEER BUCKET**

PROPRIETARY AND CONFIDENTIAL
 THE INFORMATION CONTAINED IN THIS
 DRAWING IS THE SOLE PROPERTY OF
 STAR INDUSTRIES. ANY
 REPRODUCTION IN PART OR AS A WHOLE
 WITHOUT THE WRITTEN PERMISSION OF
 STAR INDUSTRIES IS PROHIBITED.

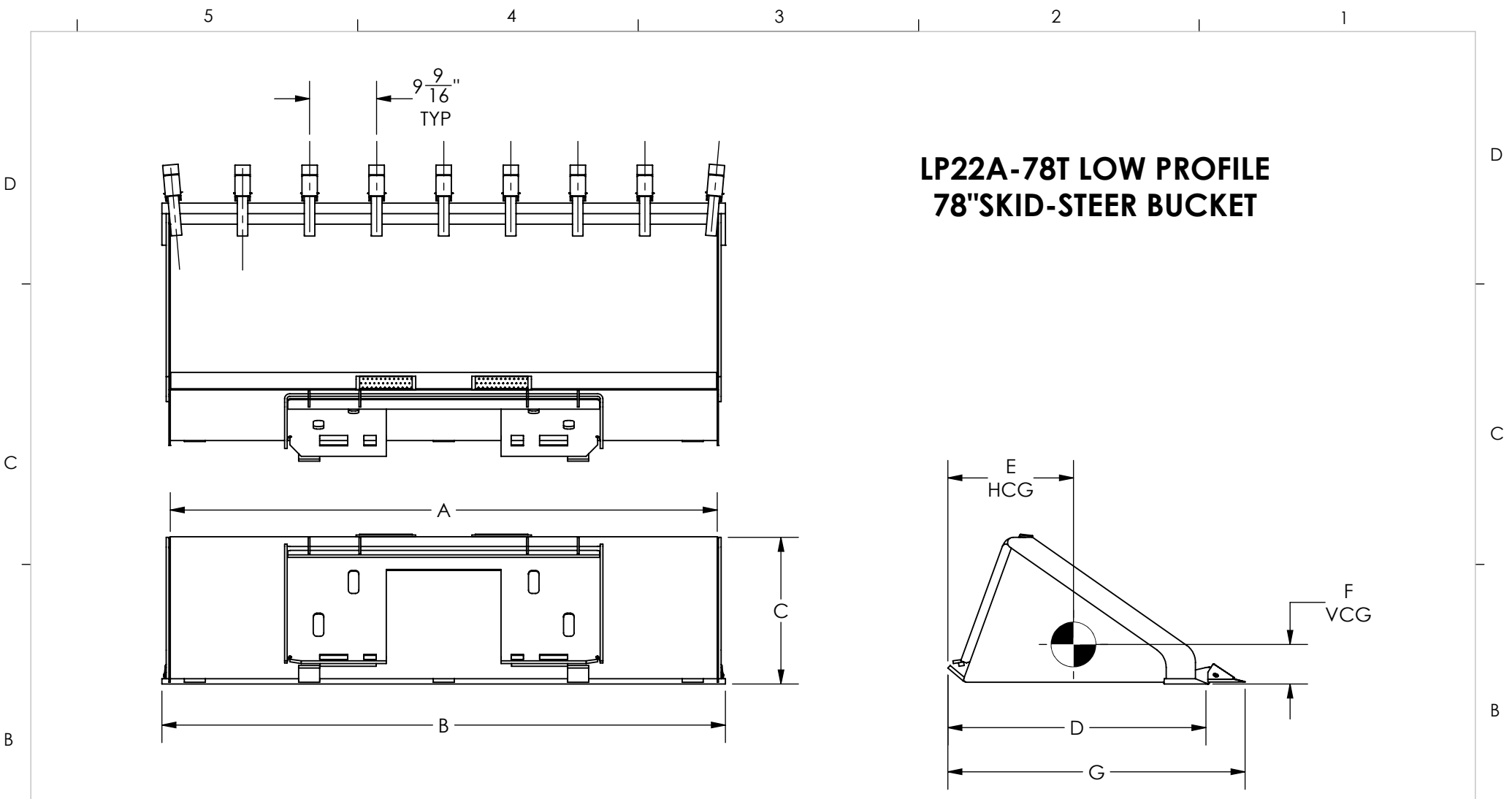
UNLESS OTHERWISE SPECIFIED:
DIMENSIONS ARE IN INCHES
TOLERANCES: $\pm 1/16$
FRACTIONAL \pm
ANGULAR: MACH \pm BEND \pm
TWO PLACE DECIMAL \pm
THREE PLACE DECIMAL \pm
INTERPRET GEOMETRIC TOLERANCING PER:
MATERIAL REFER PARTS DETAILS
FINISH
DO NOT SCALE DRAWING

	NAME	DATE
DRAWN	HI-TECH	12/20/2019
CHECKED		
ENG APPR.		
MFG APPR.		
Q.A.		
COMMENTS:		

STAR STAR INDUSTRIES
INDUSTRIES

TITLE:
**LP22A-78T LOW PROFILE
78"SKID-STEER BUCKET**

SIZE A	DWG. NO. LP22A-78T-DLR	REV 0
SCALE: 1:10		WEIGHT: 0.2484619.42 LBS
SHEET 1 OF 2		



MODEL NO	A	B	C	D	E	F	G	HEAPED CAPACITY (CYD)	EMPTY WEIGHT
LP22A-78T	78"	80 3/8"	20 7/8"	36 13/16"	17 15/16"	5 7/16"	42 3/8"	0.859	619.42 LBS

SIZE A	DWG. NO. LP22A-78T-DLR	REV 0
SCALE: 1:20	WEIGHT: 619.42 LBS	SHEET 2 OF 2