

**LP22A-84T LOW PROFILE  
84\"/>**

**PROPRIETARY AND CONFIDENTIAL**  
 THE INFORMATION CONTAINED IN THIS DRAWING IS THE SOLE PROPERTY OF STAR INDUSTRIES. ANY REPRODUCTION IN PART OR AS A WHOLE WITHOUT THE WRITTEN PERMISSION OF STAR INDUSTRIES IS PROHIBITED.

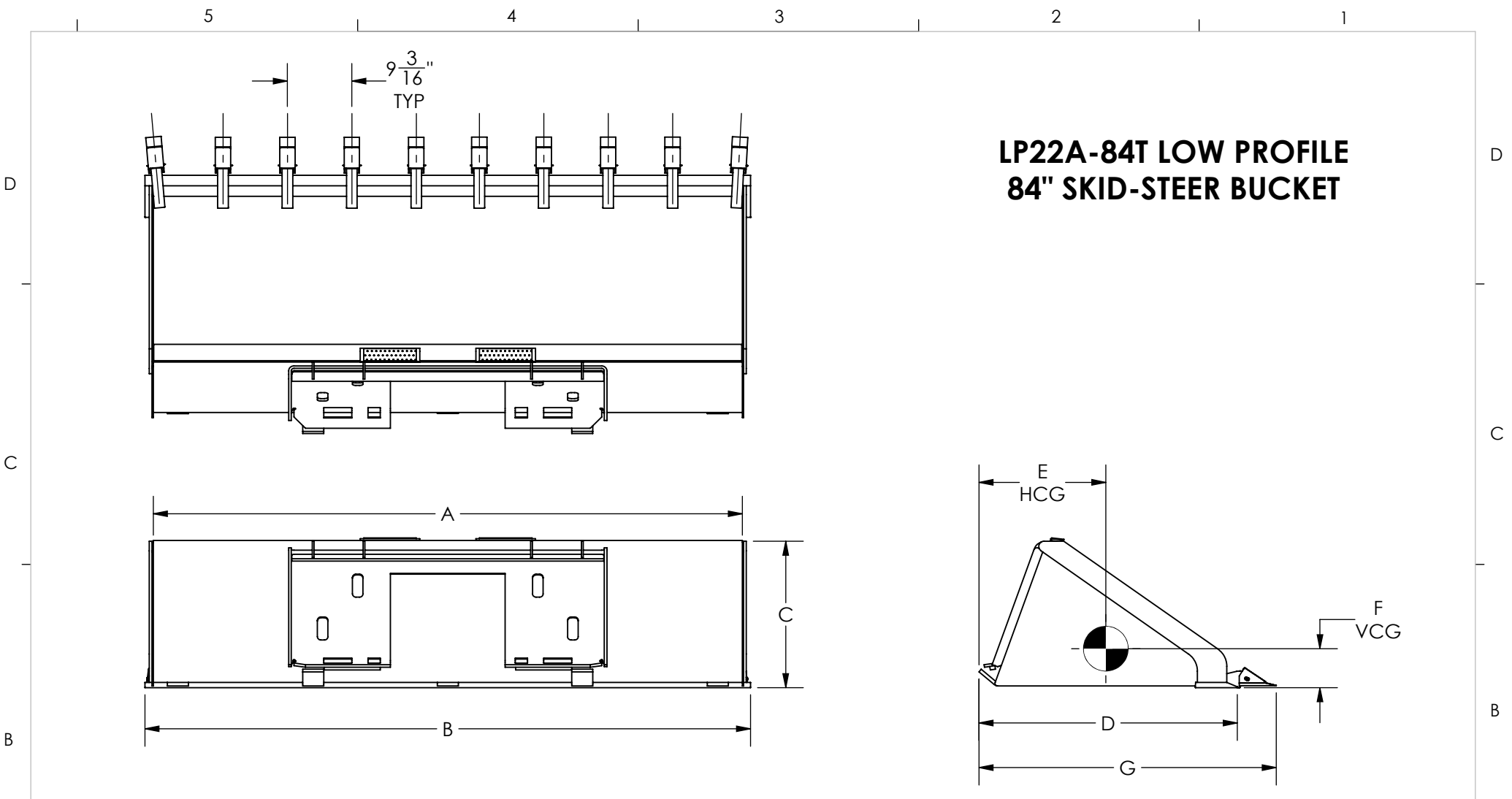
UNLESS OTHERWISE SPECIFIED:	
DIMENSIONS ARE IN INCHES	
TOLERANCES: $\pm 1/16$	
FRACTIONAL $\pm$	
ANGULAR: MACH $\pm$ BEND $\pm$	
TWO PLACE DECIMAL $\pm$	
THREE PLACE DECIMAL $\pm$	
INTERPRET GEOMETRIC TOLERANCING PER:	
MATERIAL	REFER PARTS DETAILS
FINISH	
DO NOT SCALE DRAWING	

	NAME	DATE
DRAWN	HI-TECH	12/22/2019
CHECKED		
ENG APPR.		
MFG APPR.		
Q.A.		
COMMENTS:		

**STAR STAR INDUSTRIES**  
INDUSTRIES

TITLE:  
**LP22A-84T LOW PROFILE  
84\"/>**

SIZE <b>A</b>	DWG. NO. LP22A-84T-DLR	REV <b>0</b>
SCALE: 1:10		WEIGHT: 0.2484652.84 LBS
SHEET 1 OF 2		



# LP22A-84T LOW PROFILE 84" SKID-STEER BUCKET

MODEL NO	A	B	C	D	E	F	G	HEAPED CAPACITY (CYD)	EMPTY WEIGHT
LP22A-84T	84"	86 3/8"	20 7/8"	36 13/16"	18 1/8"	5 3/8"	42 3/8"	0.929	652.84 LBS

SIZE <b>A</b>	DWG. NO. LP22A-84T-DLR	REV <b>0</b>
SCALE: 1:20	WEIGHT: 652.84 LBS	SHEET 2 OF 2