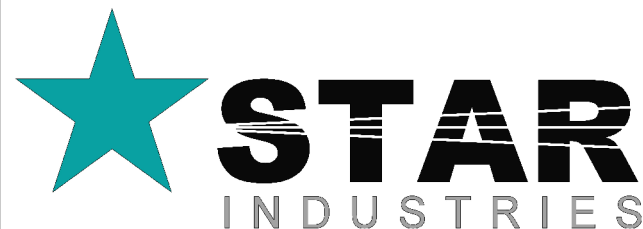
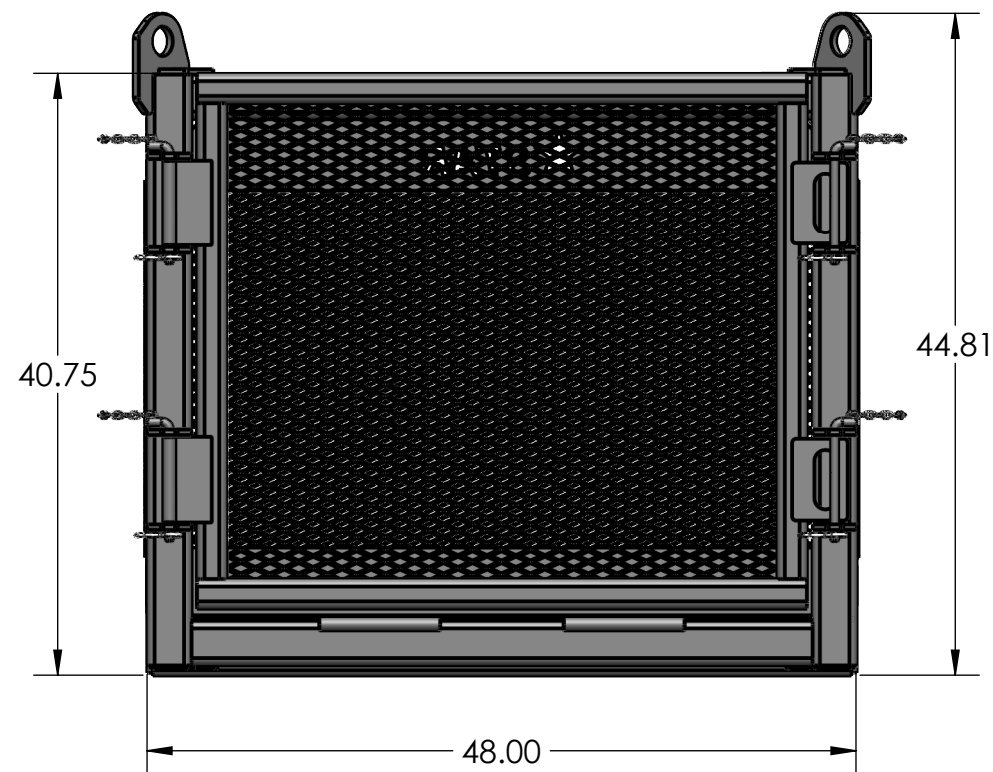
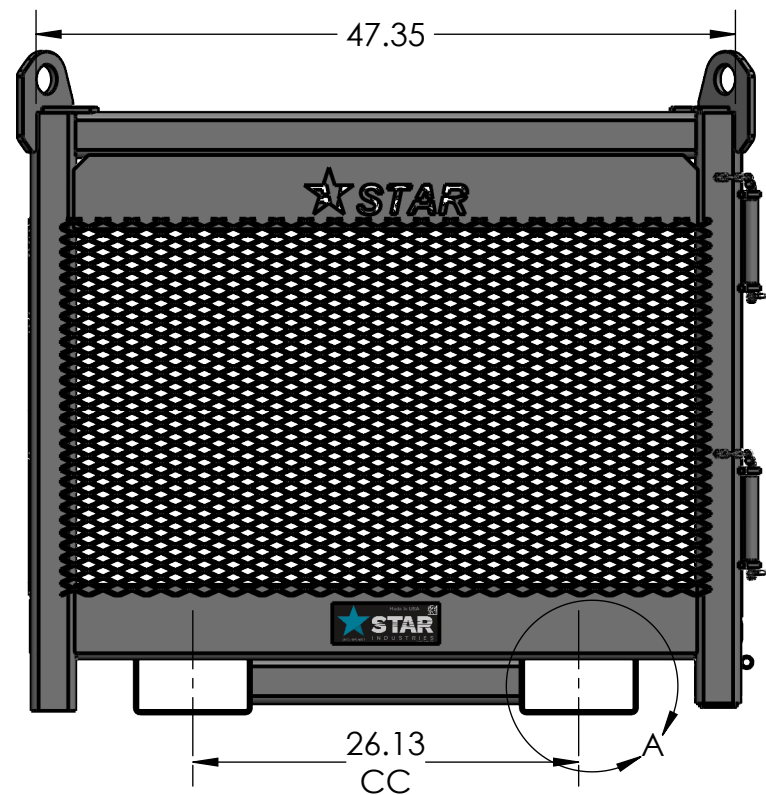
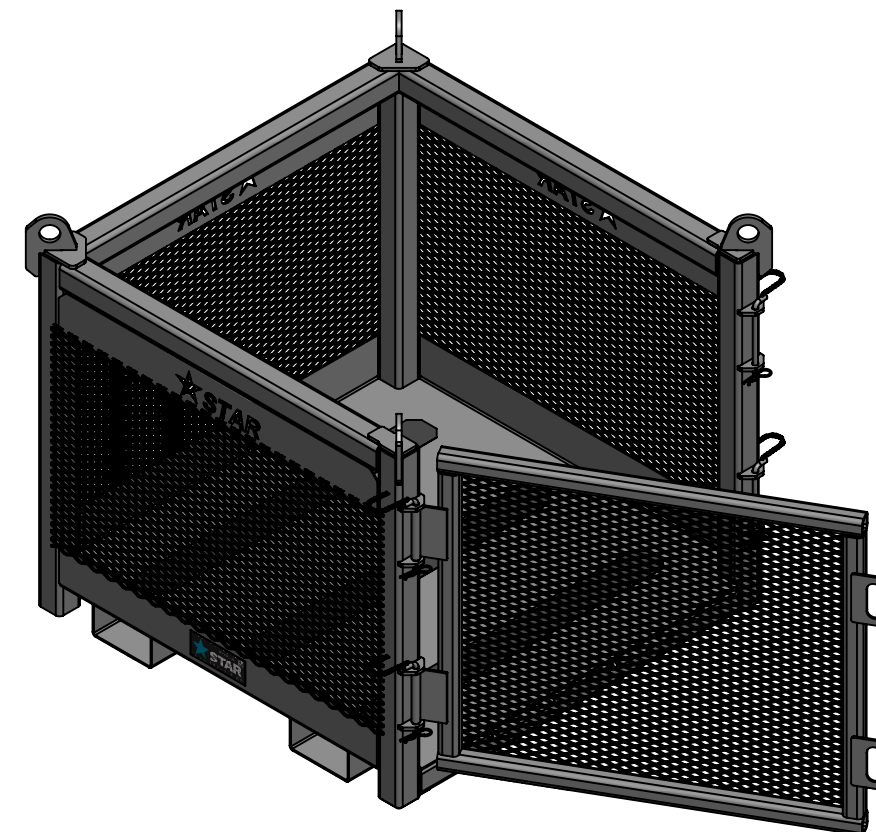
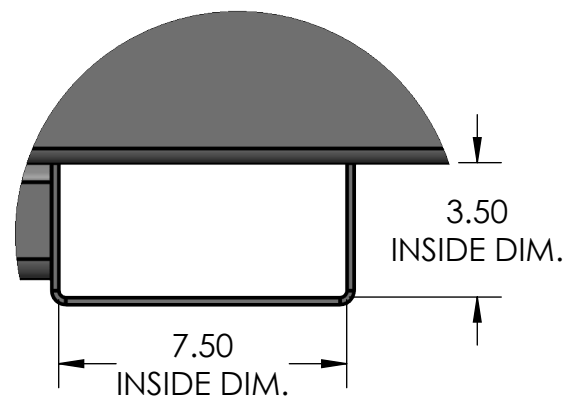


DETAIL A
SCALE 1 : 5



Phone: (800) 541-1797

(817) 485-6073

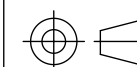
Fax: (817) 428-6008

4101 Garland Dr. Fort Worth, TX 76117 Email: mail@starindustries.com

Dealer Drawing

PROPRIETARY AND CONFIDENTIAL
THE INFORMATION CONTAINED IN THIS
DRAWING IS THE SOLE PROPERTY OF
STAR INDUSTRIES. ANY REPRODUCTION
IN PART OR AS A WHOLE WITHOUT
THE WRITTEN PERMISSION OF STAR
INDUSTRIES IS PROHIBITED.

TITLE: Crane Material Basket 48" x 48" x 40" w/ Door



P-WEIGHT:
707.44 lbs.

DWG. NO.

2510D